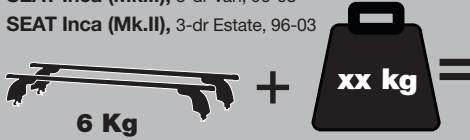


VW Polo, 3-dr Hatchback, 95-01
 VW Polo, 5-dr Hatchback, 95-01

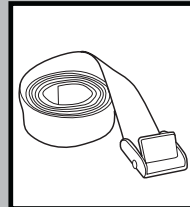
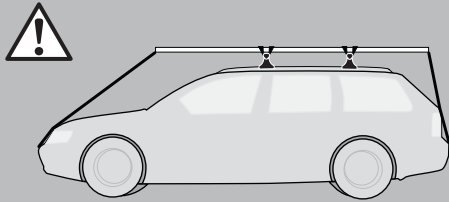
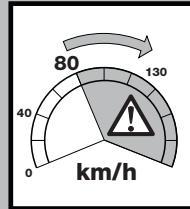
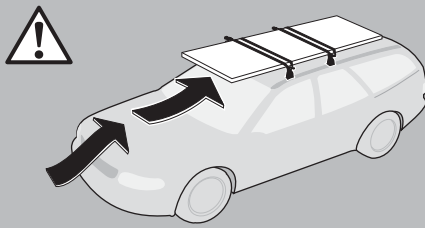


**Max.
50 kg**

VW Caddy (Mk.II), 3-dr Van, 96-03
 VW Caddy (Mk.II), 3-dr Estate, 96-03
 SEAT Inca (Mk.II), 3-dr Van, 96-03
 SEAT Inca (Mk.II), 3-dr Estate, 96-03



**Max.
70 kg**



THULE 544

ONE 596

KEY 588

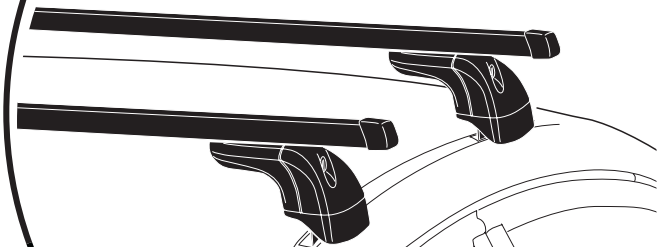
SYSTEM

THULE[®]
 SWEDEN

- GB Fitting instructions
- D Montageanleitung
- F Instructions de montage
- NL Montage-instructies
- I Istruzioni per il montaggio
- E Instrucciones de montaje
- PT Instruções de Montagem
- S Monteringsanvisning
- FIN Asennusohje
- EST Paigaldusjuhend
- LAT Stiprināšanas instrukcija
- LIT Pritvirtinimo instrukcijos
- PL Instrukcja montażu
- RU Инструкции по установке
- CZ Návod na montáž
- SK Návod na montáž
- SLO Navodila za pritrjevanje
- HR Uputa za sastavljanje
- HU A felszerelés módja
- GR Οδηγίες συναρμολόγησης
- TR Montaj talimatları
- 中文 安装说明
- 日本語 取扱(取付)説明書
- 한국어 장착 지침
- ไทย คำแนะนำการติดตั้ง

- VW Polo, 3-dr Hatchback, 95-01
- VW Polo, 5-dr Hatchback, 95-01
- VW Caddy (Mk.II), 3-dr Van, 96-03
- VW Caddy (Mk.II), 3-dr Estate, 96-03
- SEAT Inca (Mk.II), 3-dr Van, 96-03
- SEAT Inca (Mk.II), 3-dr Estate, 96-03

**RAPID
 FIXPOINT XT**



3007
 133007

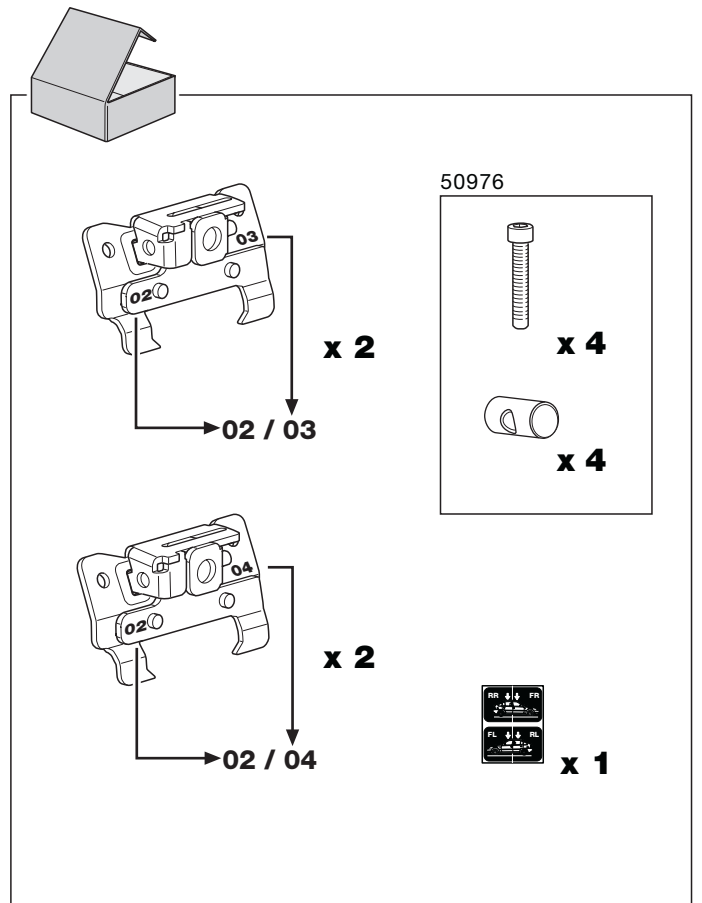
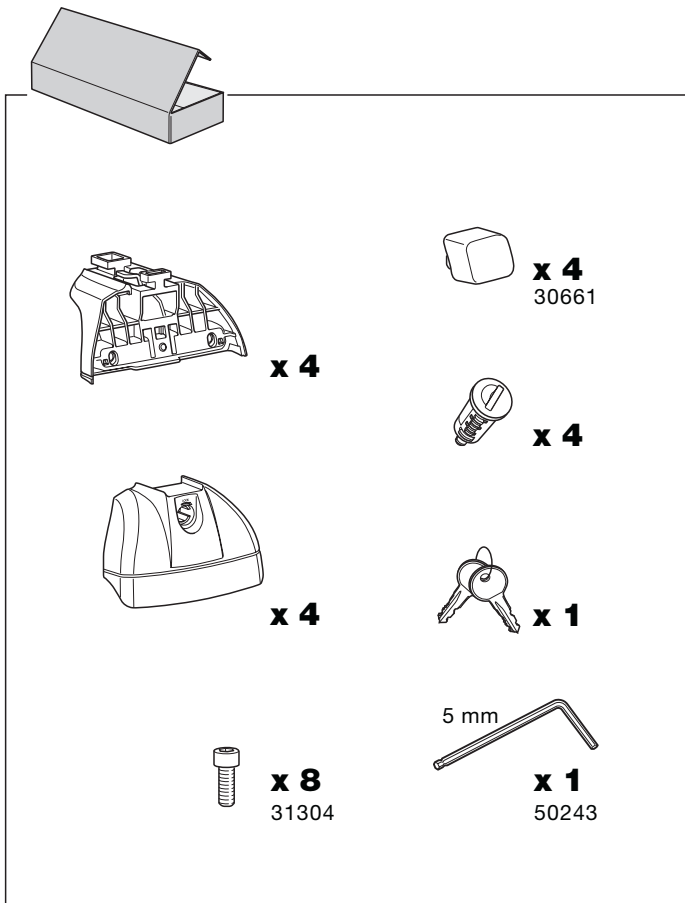
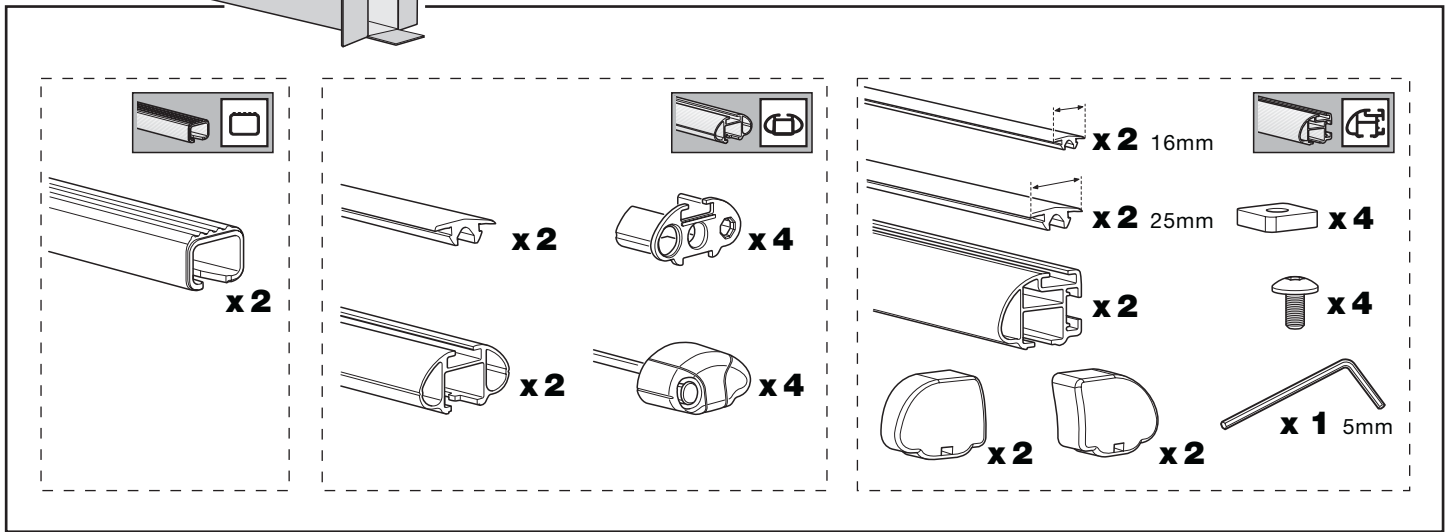
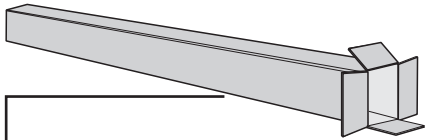
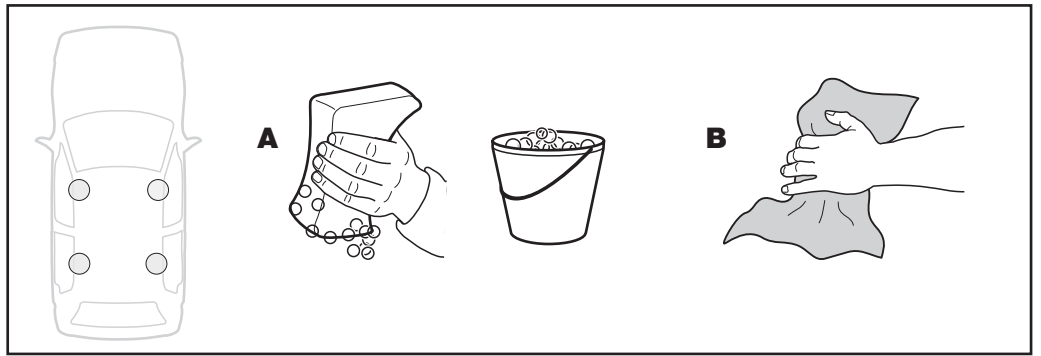
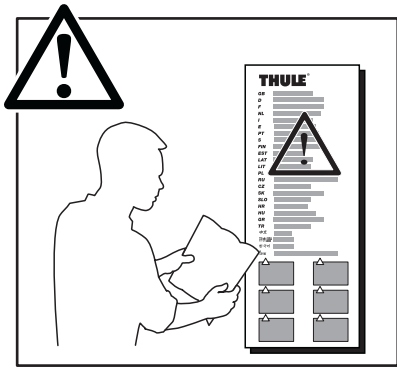


Follow me...

THULE[®]
 SWEDEN

Box 69, 330 33 Hillerstorp, SWEDEN
 www.thule.com

804•4DF/8/501-3007-05



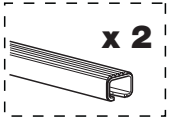
1



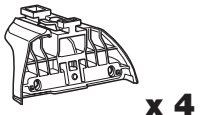
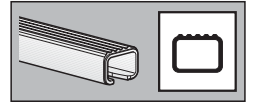
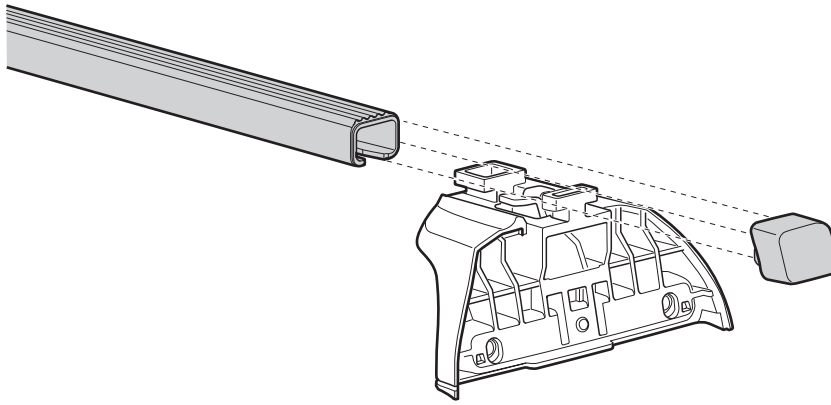
x 4



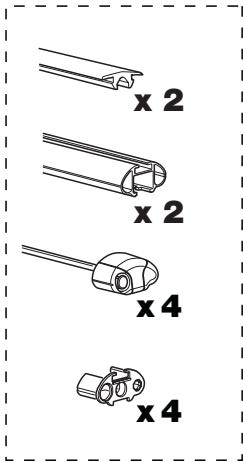
x 4



x 2



x 4

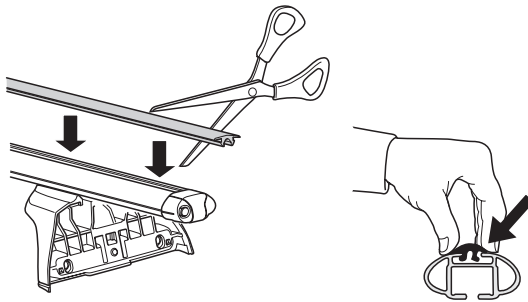
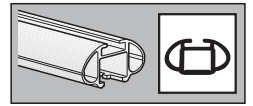
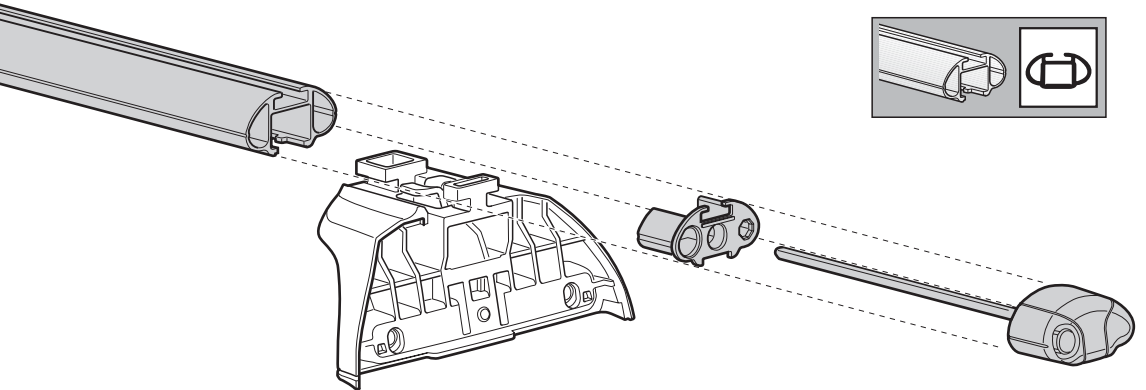


x 2

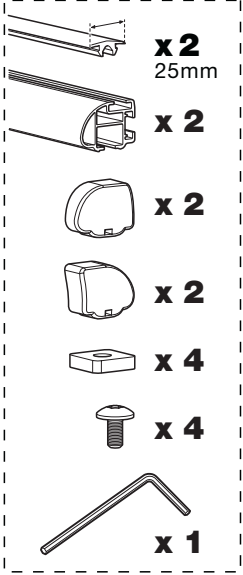
x 2

x 4

x 4



x 4



x 2

25mm

x 2

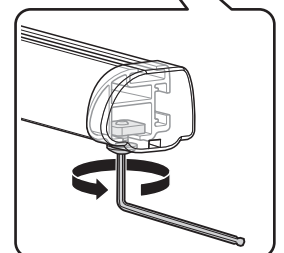
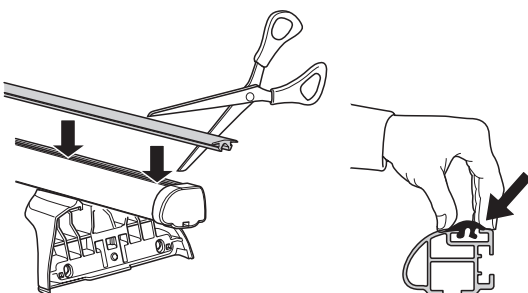
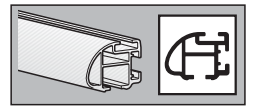
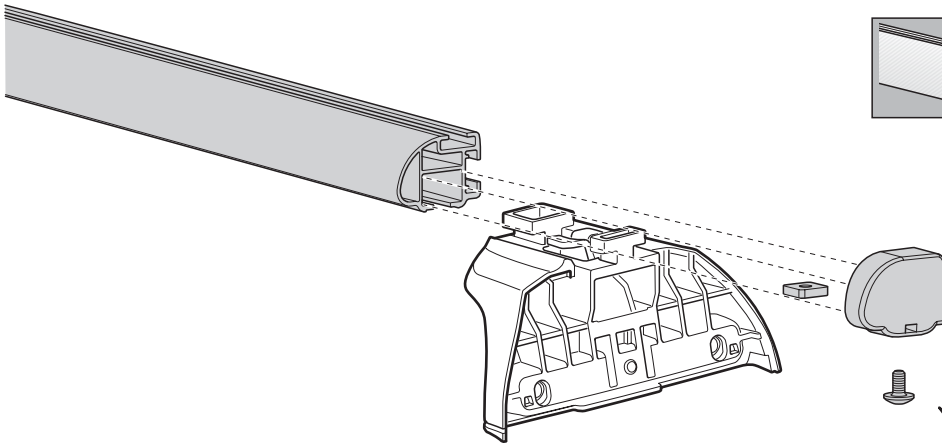
x 2

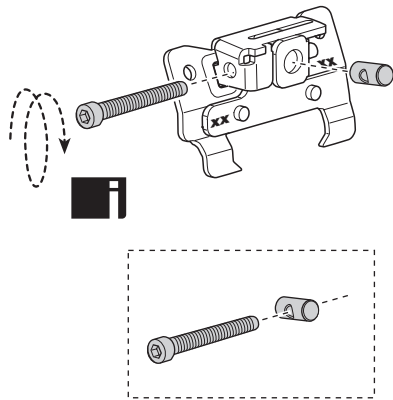
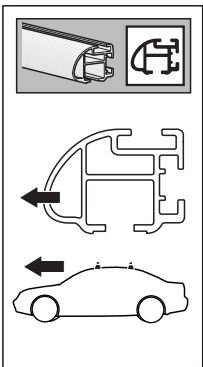
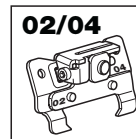
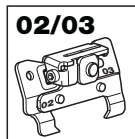
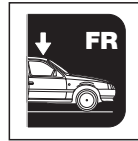
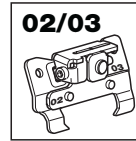
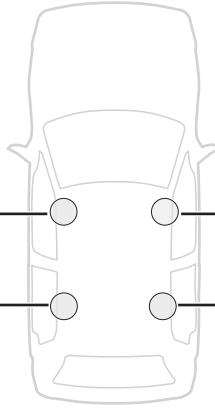
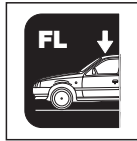
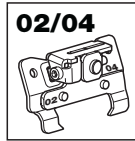
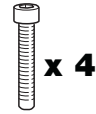
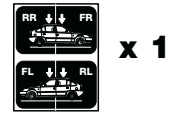
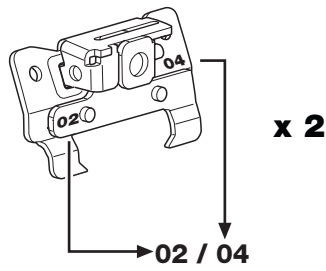
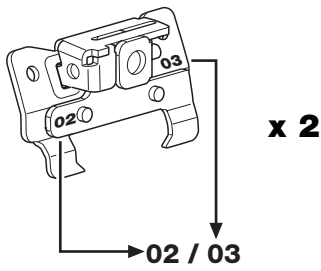
x 2

x 4

x 4

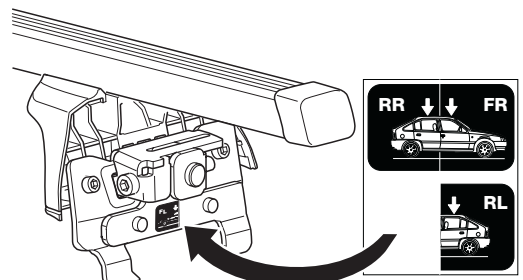
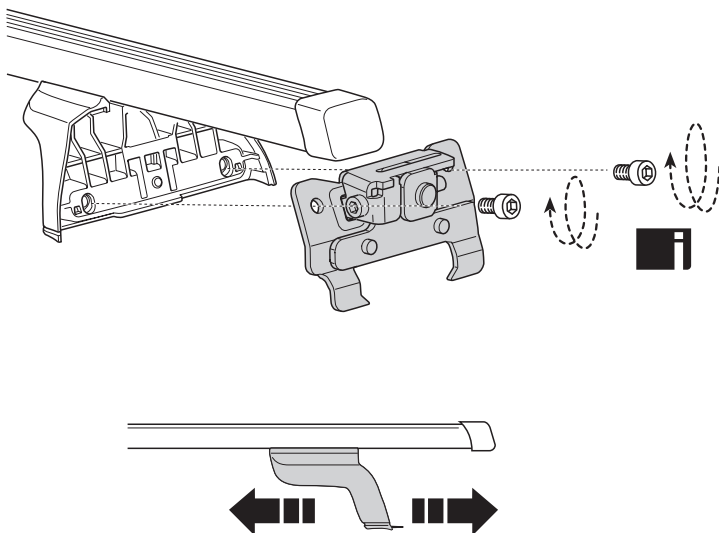
x 1





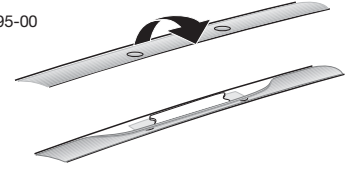
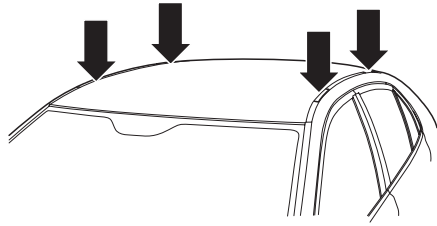
- GB** Only a few turns
- D** Nur wenige Umdrehungen
- F** Quelques tours uniquement
- NL** Slechts enkele slagen
- I** Solo qualche giro
- E** Sólo algunas vueltas
- PT** Noções básicas
- S** Endast några varv
- FIN** Vain muutama kierros
- EST** Ainult mõni pööre
- LAT** Tikai dažī apgriezieni
- LIT** Tik keli pasukimai
- PL** Wystarczy kilka obrotów

- RU** Достаточно нескольких оборотов
- CZ** Pouze několik otáček
- SK** Len niekoľko otáčok
- SLO** Le nekaj obratov
- HR** Samo nekoliko okreta
- HU** Csak néhány fordítás
- GR** Μόνο μερικές στροφές
- TR** Yalnız birkaç kez çevirme
- 中文** 只有几个转向
- 한국어** 두 세번만
- 日本語** 数回転のみ
- ไทย** หมุนเพียงไม่กี่รอบ



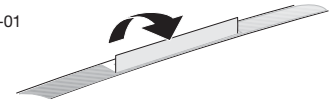
VW Polo, 3-dr Hatchback, 95-00

VW Polo, 5-dr Hatchback, 95-00



VW Polo, 3-dr Hatchback, 00-01

VW Polo, 5-dr Hatchback, 00-01

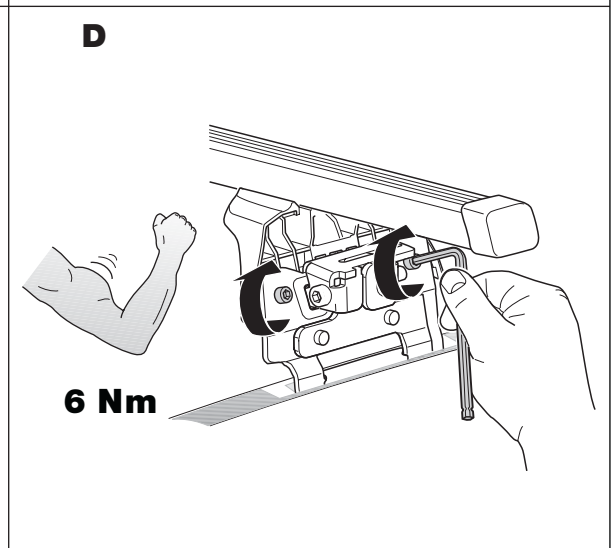
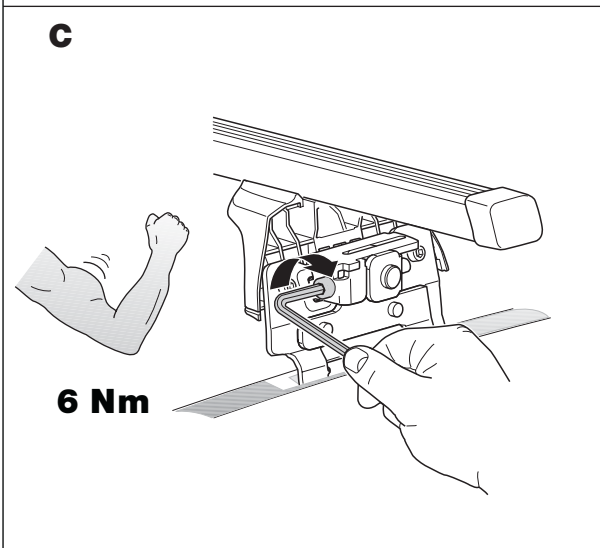
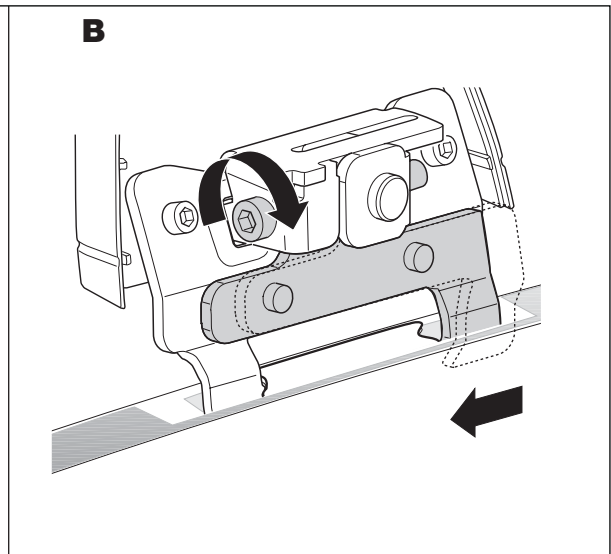
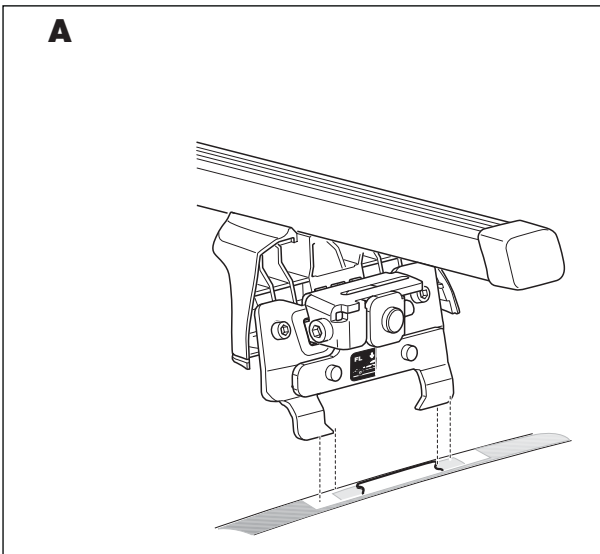
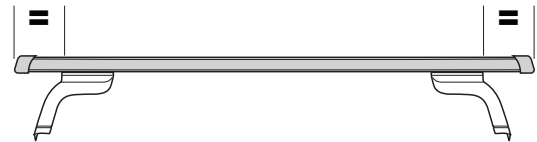
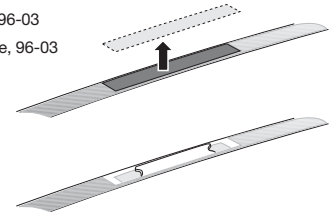
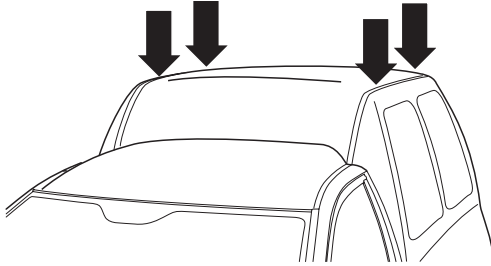


VW Caddy (Mk.II), 3-dr Van, 96-03

VW Caddy (Mk.II), 3-dr Estate, 96-03

SEAT Inca (Mk.II), 3-dr Van, 96-03

SEAT Inca (Mk.II), 3-dr Estate, 96-03



4



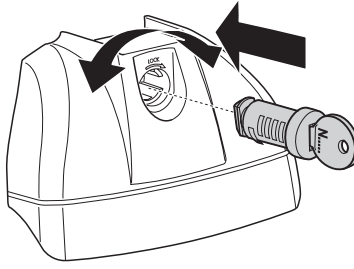
x 4



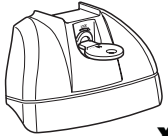
x 4



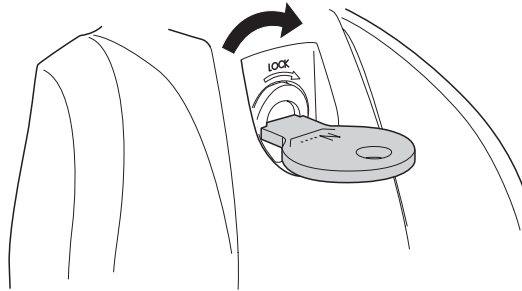
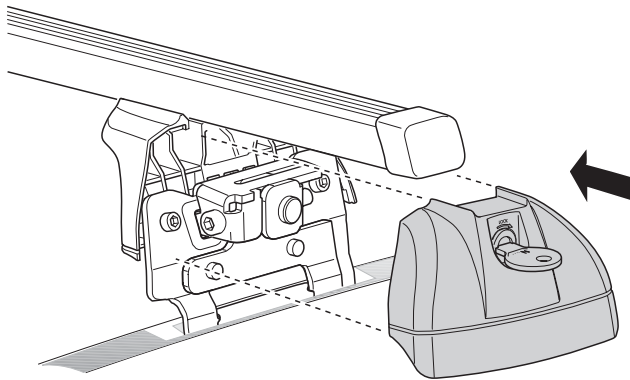
x 1



5



x 4



6

