

PROFESSIONAL

THULE  
SWEDENTHULE®  
SWEDEN

- GB** Fitting instructions  
**D** Montageanleitung  
**F** Instructions de montage  
**NL** Montage-instructies  
**I** Istruzioni per il montaggio  
**E** Instrucciones de montaje  
**PT** Instruções de Montagem  
**S** Monteringsanvisning  
**FIN** Asennusohje  
**EST** Paigaldusjuhend  
**LAT** Stiprināšanas instrukcija  
**LIT** Pritvirtinimo instrukcijos  
**PL** Instrukcja montażu  
**RU** Инструкции по установке  
**CZ** Návod na montáž  
**SK** Návod na montáž  
**SLO** Navodila za pritrjevanje  
**HR** Uputa za sastavljanje  
**HU** A felszerelés módja  
**GR** Οδηγίες συναρμολόγησης  
**TR** Montaj talimatları  
 中文 安装说明  
 日本語 取扱(取付)説明書  
 한국어 장착 지침  
 ไทย คำแนะนำการติดตั้ง

**MITSUBISHI L 200, 2-dr Single Cab, 98-05**

**MITSUBISHI L 200, 2-dr Extended Cab, 98-05**

**MITSUBISHI L 200, 4-dr Double Cab, 98-99**

**MITSUBISHI Triton, 2-dr Single Cab, 98-05**

**MITSUBISHI Triton, 2-dr Extended Cab, 98-05**

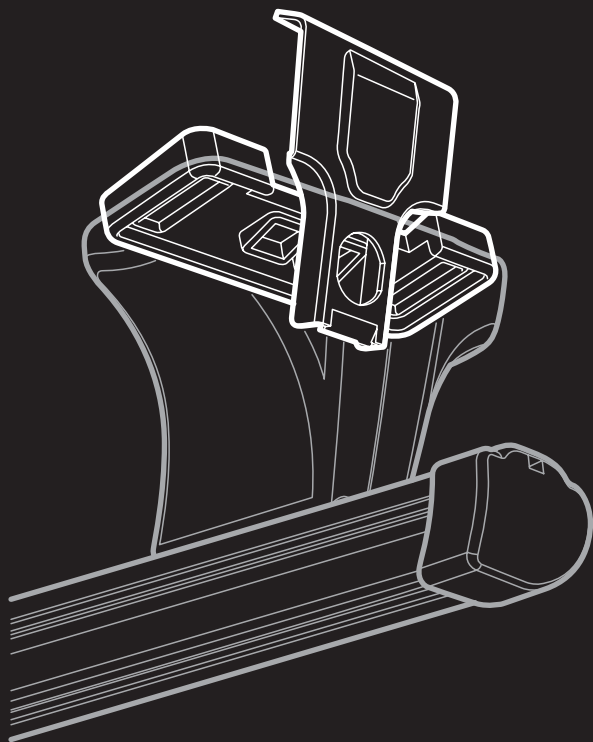
**MITSUBISHI Triton, 4-dr Double Cab, 98-99**

# RAPID SYSTEM

## Kit 1116



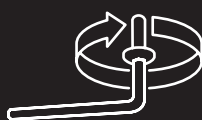
# Follow me...

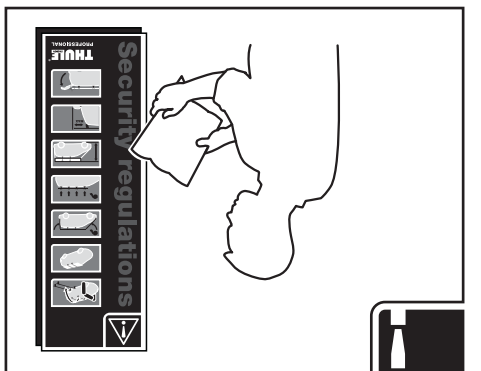
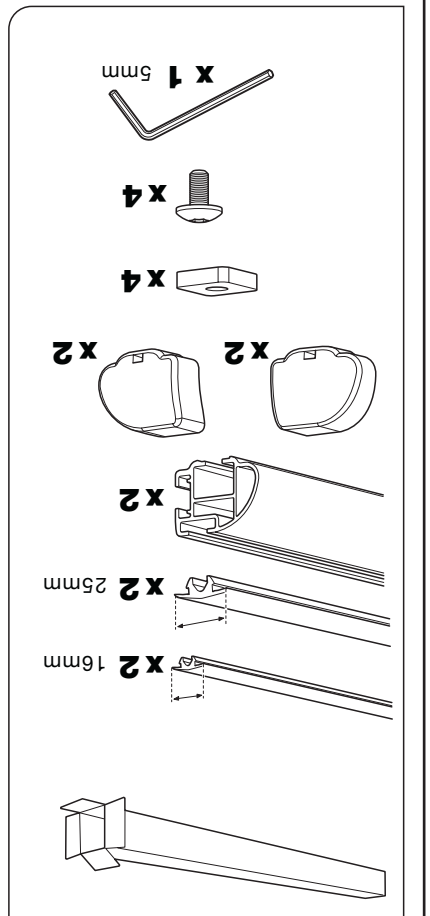
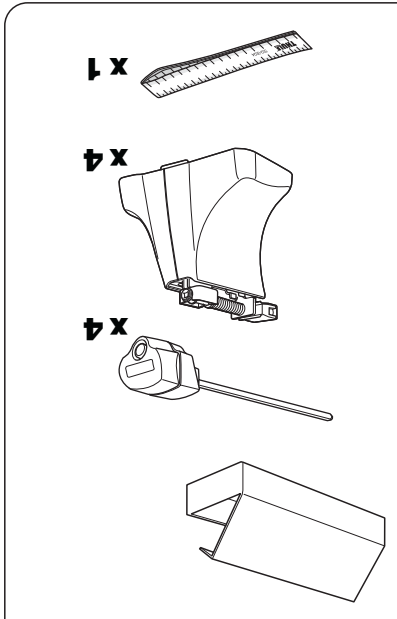
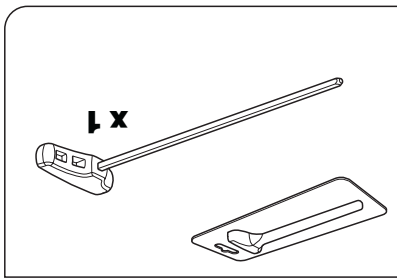
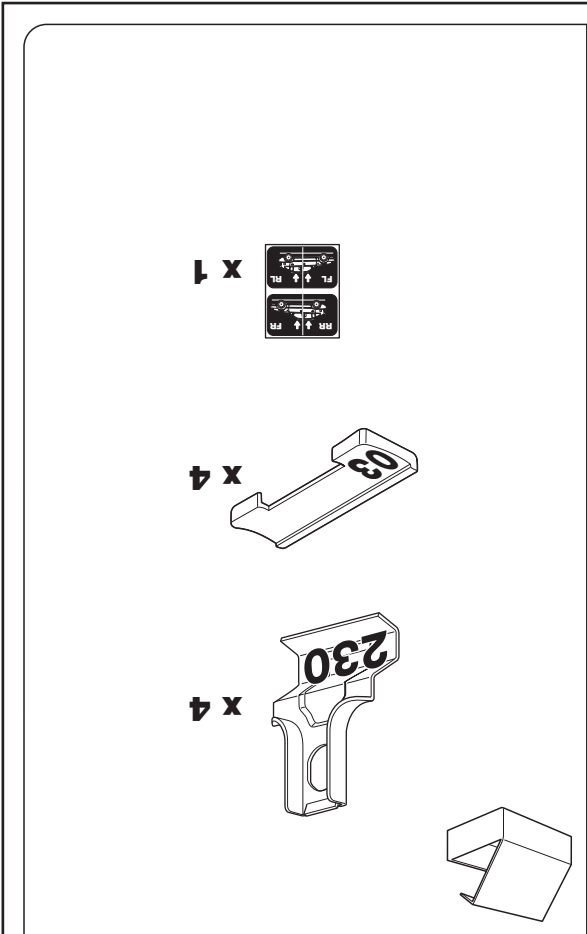
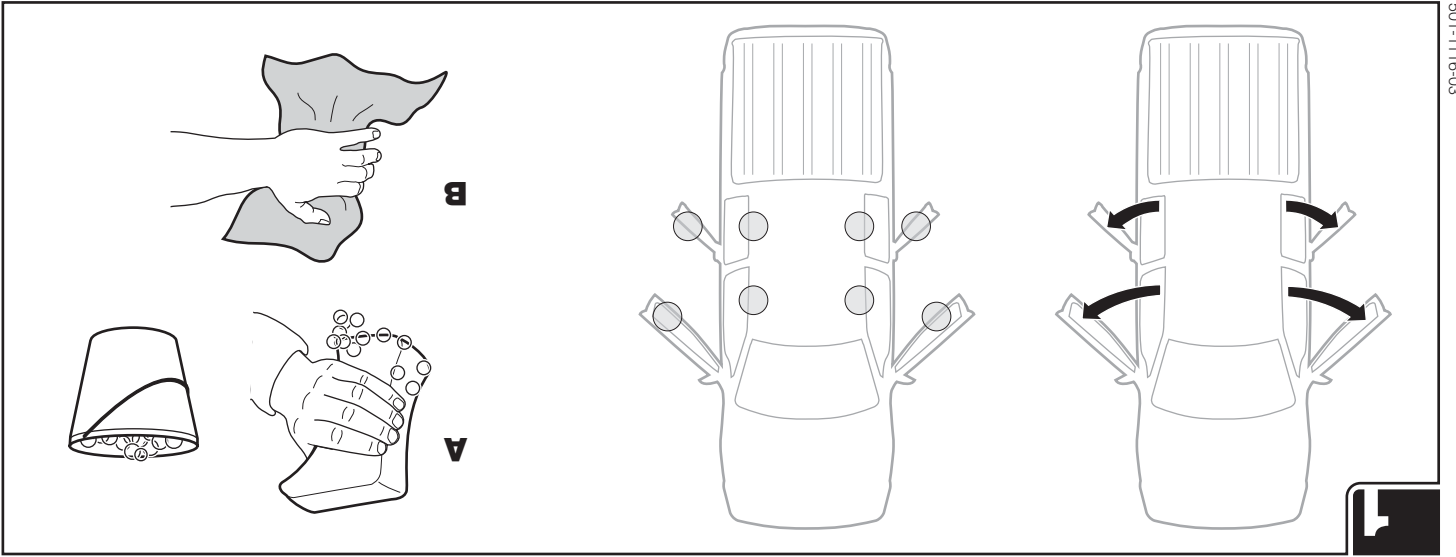


**MITSUBISHI L 200, 2-dr Single Cab, 98-05**  
**MITSUBISHI L 200, 2-dr Extended Cab, 98-05**  
**MITSUBISHI L 200, 4-dr Double Cab, 98-99**  
**MITSUBISHI Triton, 2-dr Single Cab, 98-05**  
**MITSUBISHI Triton, 2-dr Extended Cab, 98-05**  
**MITSUBISHI Triton, 4-dr Double Cab, 98-99**



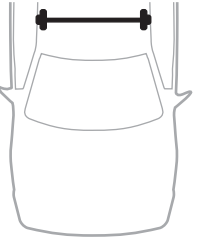
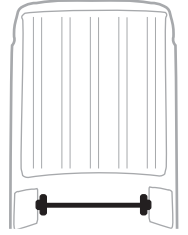
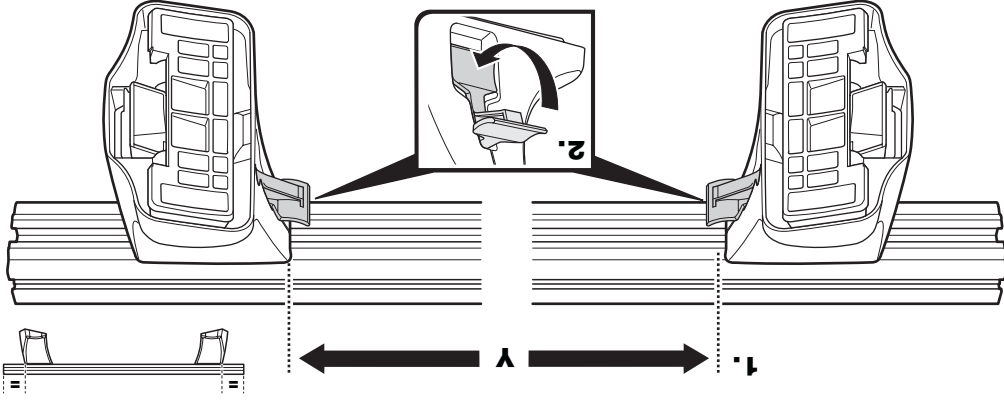
Load Carrier  
**Kit 1116**  
 121116





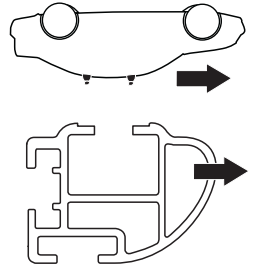
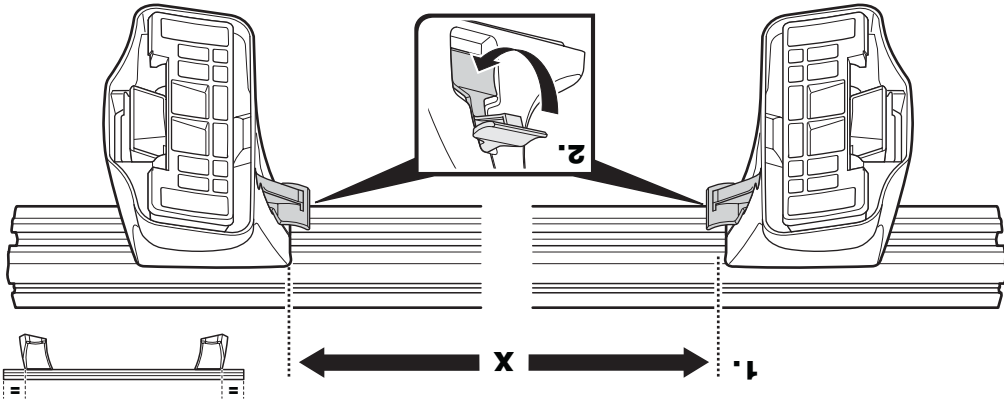
101,6 cm	MITSUBISHI Triton, 4-dr Double Cab, 98-99
102,1 cm	MITSUBISHI Triton, 2-dr Extended Cab, 98-05
-	MITSUBISHI Triton, 2-dr Single Cab, 98-05
101,6 cm	MITSUBISHI L 200, 4-dr Double Cab, 98-99
102,1 cm	MITSUBISHI L 200, 2-dr Extended Cab, 98-05
-	MITSUBISHI L 200, 2-dr Single Cab, 98-05

**Y**

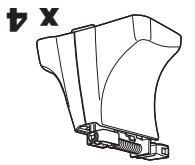
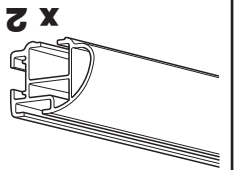
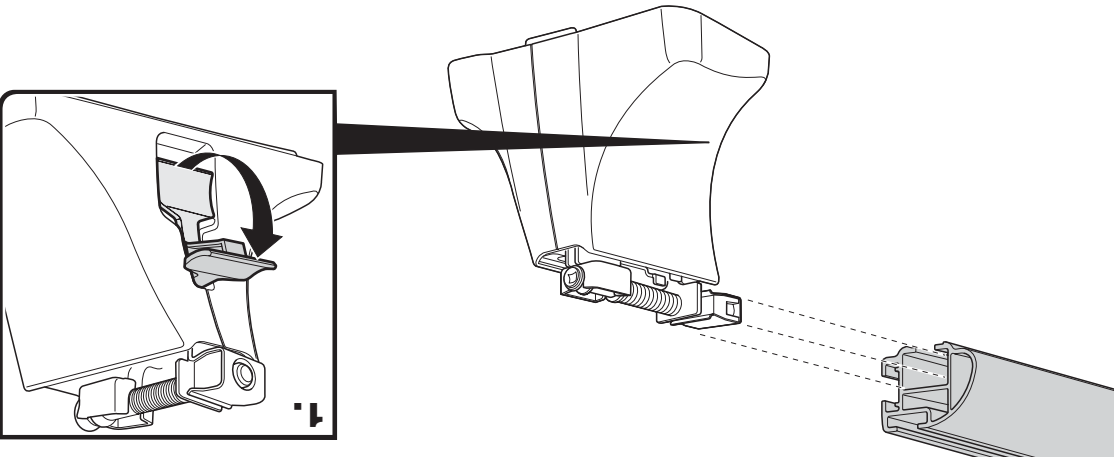


101,6 cm	MITSUBISHI Triton, 4-dr Double Cab, 98-99
101,6 cm	MITSUBISHI Triton, 2-dr Extended Cab, 98-05
101,6 cm	MITSUBISHI Triton, 2-dr Single Cab, 98-05
101,6 cm	MITSUBISHI L 200, 4-dr Double Cab, 98-99
101,6 cm	MITSUBISHI L 200, 2-dr Extended Cab, 98-05
101,6 cm	MITSUBISHI L 200, 2-dr Single Cab, 98-05

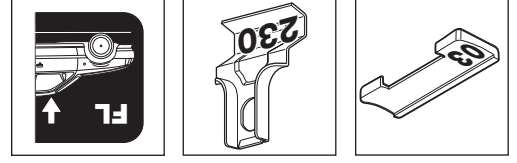
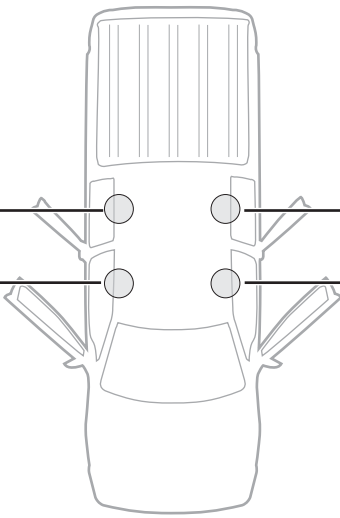
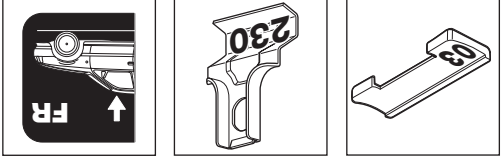
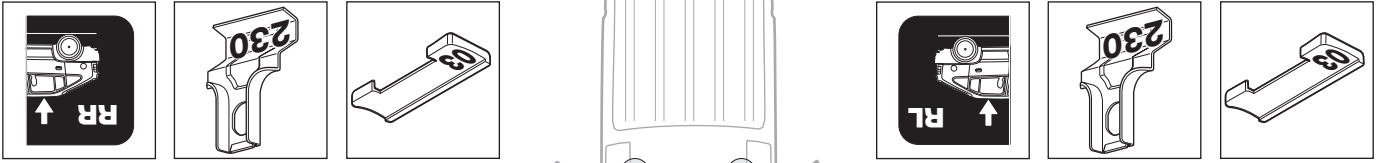
**X**



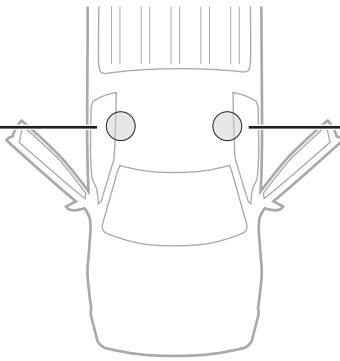
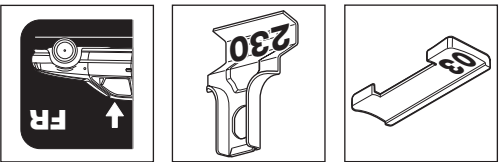
**3**



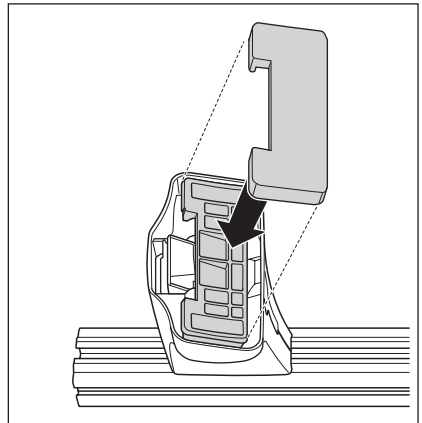
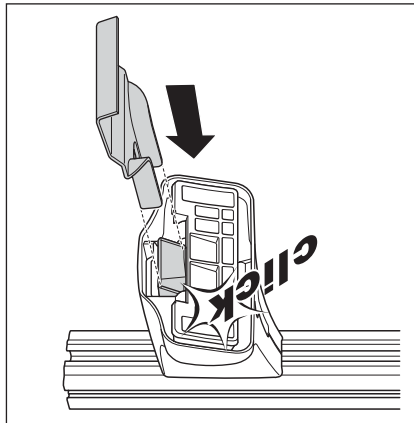
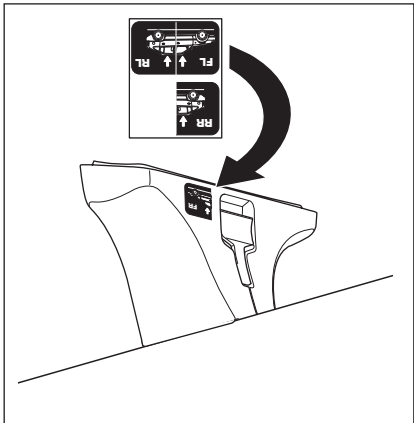
**2**



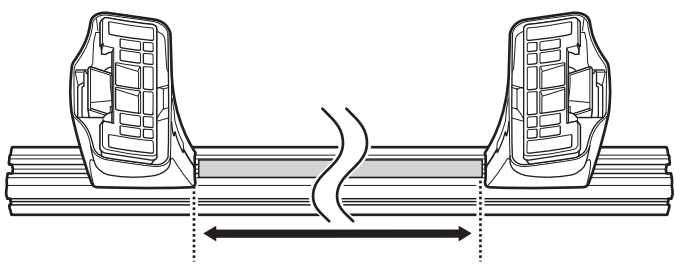
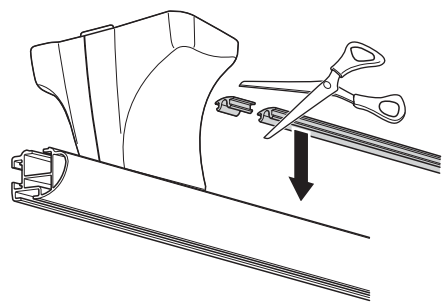
MITSUBISHI L 200, 2-dr Extended Cab, 98-05  
 MITSUBISHI L 200, 4-dr Double Cab, 98-99  
 MITSUBISHI Triton, 2-dr Extended Cab, 98-05  
 MITSUBISHI Triton, 4-dr Double Cab, 98-99



MITSUBISHI L 200, 2-dr Single Cab, 98-05  
 MITSUBISHI Triton, 2-dr Single Cab, 98-05



5

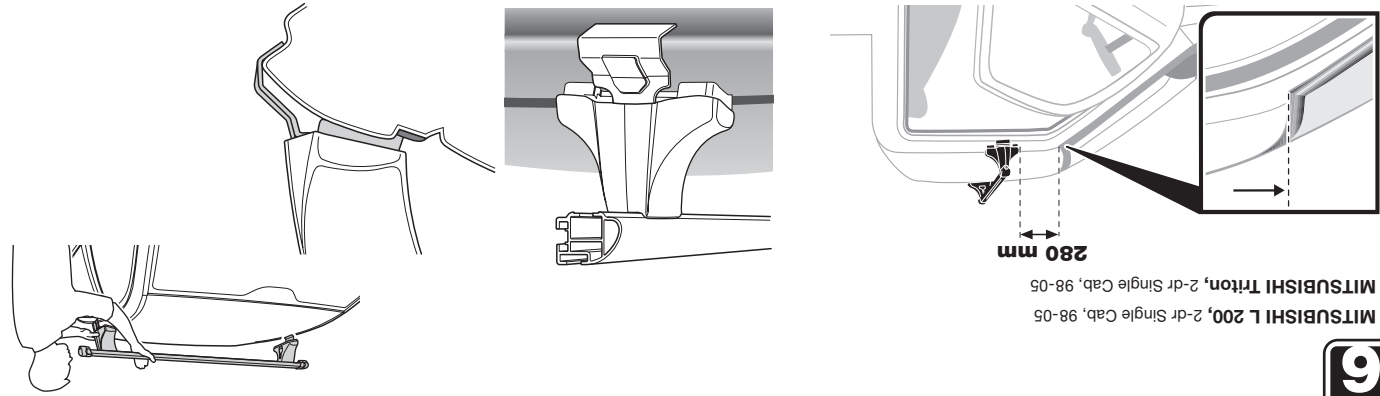


x2  
16mm

4

MITSUBISHI L 200, 2-dr Single Cab, 98-05  
MITSUBISHI Triton, 2-dr Single Cab, 98-05

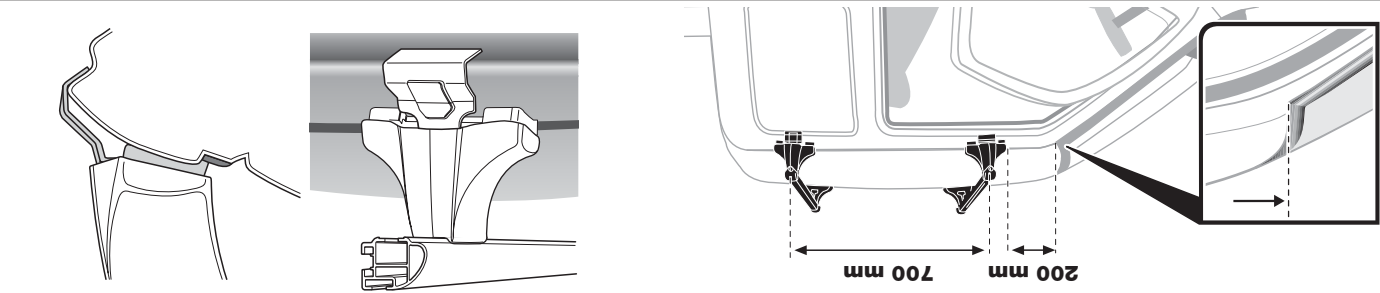
280 mm



MITSUBISHI L 200, 2-dr Extended Cab, 98-05  
MITSUBISHI Triton, 2-dr Extended Cab, 98-05

200 mm

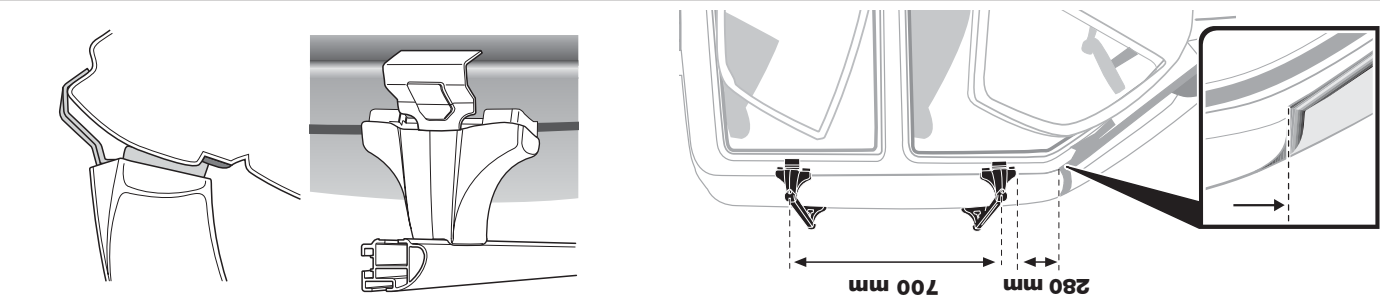
700 mm



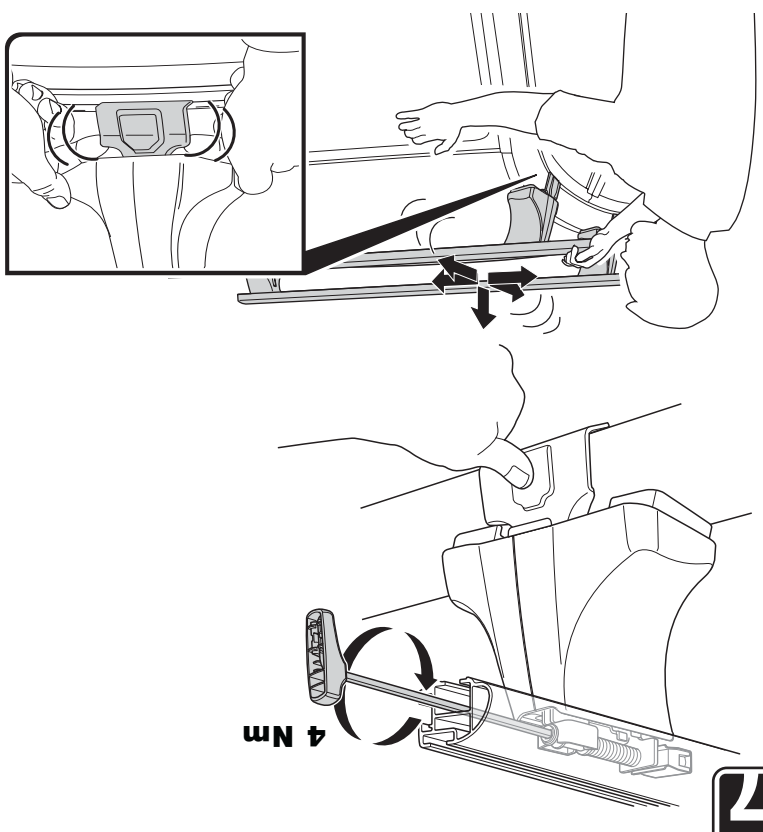
MITSUBISHI L 200, 4-dr Double Cab, 98-99  
MITSUBISHI Triton, 4-dr Double Cab, 98-99

280 mm

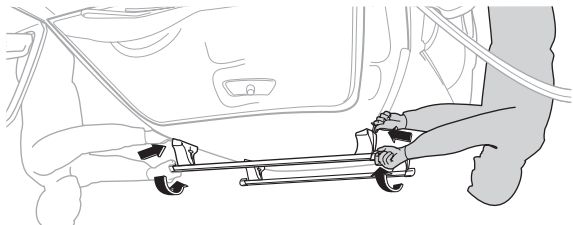
700 mm

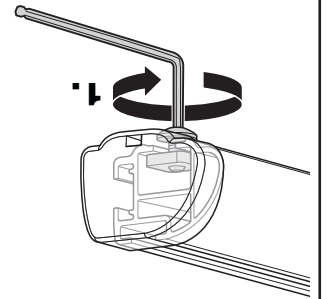
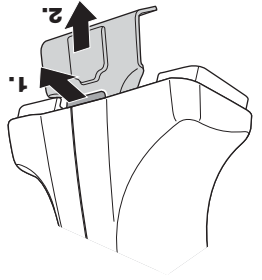


4 Nm



<b>GB</b>	Tighen alternately	<b>RU</b>	Затягивайте попеременно
<b>D</b>	Die Schrauben	<b>CZ</b>	Pokrétla bagazníka
<b>F</b>	Serrer alternativement	<b>SK</b>	Dotahujte striedavo
<b>NL</b>	Afwisselend aan de linker- en de rechterkant	<b>SLO</b>	Privijajte izmenično.
<b>I</b>	Serrare alternativamente	<b>HU</b>	Egyenestől fűggetlenül
<b>E</b>	Alternare il serraggio delle viti	<b>GR</b>	Σφίγγετε εναλλάξ
<b>PT</b>	Aperte alternadamente	<b>TR</b>	Dönüşümü sıkın
<b>S</b>	Dra åt växels	<b>中文</b>	交替拧紧
<b>FIN</b>	Kierrä vuorotellen	<b>한국어</b>	편갈아 가며 조이십시오.
<b>EST</b>	Pinguldage vaheldumisi	<b>日本語</b>	交互に締め付けてください。
<b>LAT</b>	Pievēciēt pamišus	<b>Им</b>	послідовно
<b>LIT</b>	Užsukinėkite pakaitomis	<b>PL</b>	Srubby dokręcaj naprzemiennie





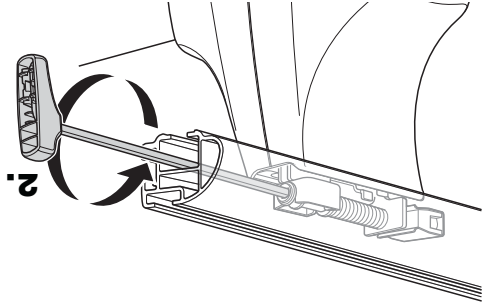
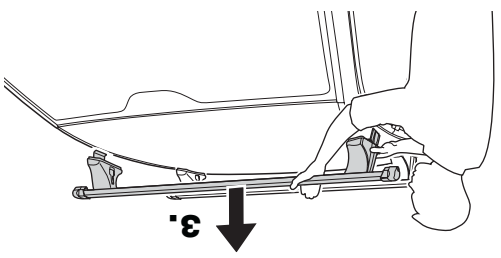
- GB** Removal
- D** Demontieren
- F** Démontage
- NL** Demontage
- I** Rimozione

- E** Desmontaje
- PT** Remoção
- S** Demontering
- FIN** Irrotus
- EST** Eemaldamine

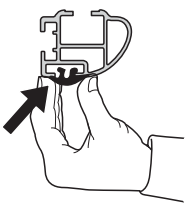
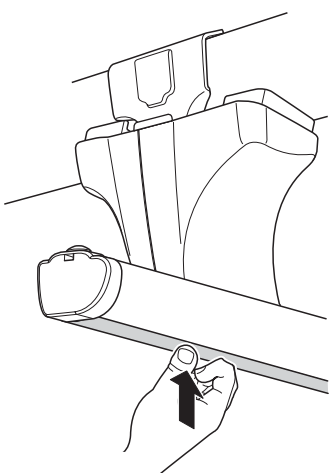
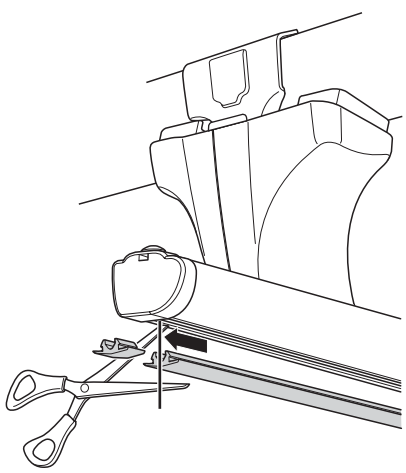
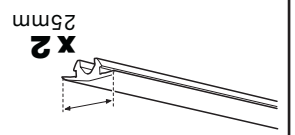
- LAT** Noņemšana
- LIT** Nuėmimas
- PL** Wymontowanie
- RU** Чyртne
- CZ** Odmontování

- SK** Demontáž
- SLO** Odstranjevanje
- HR** Uklanjanje
- HU** Leszereles
- GR** Αφαίρεση

- TR** Sökme
- 中文** 拆除
- 日本語** 取り外し
- 한국어** 분리
- ไทย** ถอดออก

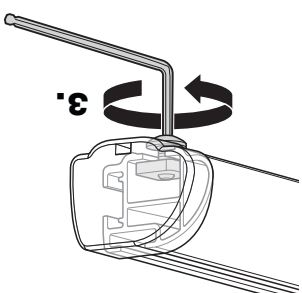
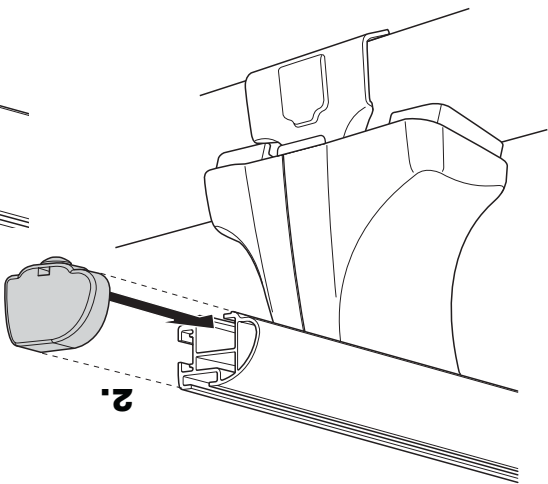
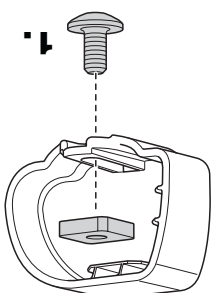


**9**



**8**

- x1** 5mm L-shaped metal rod
- x4** Small screw
- x4** Small rectangular plate
- x2** Small rectangular plate
- x2** Small rectangular plate





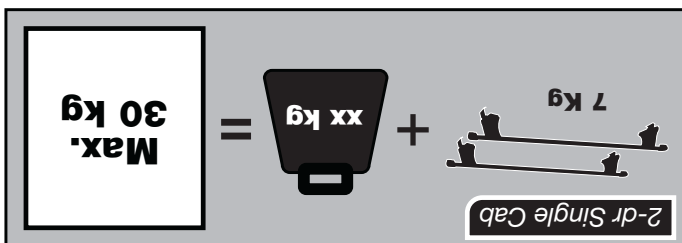
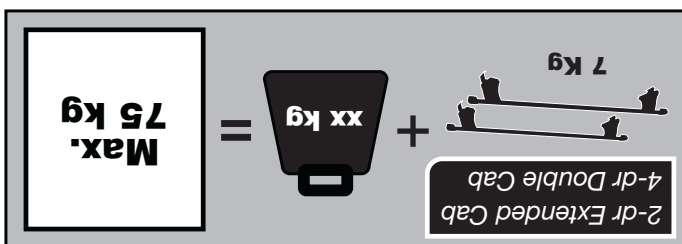
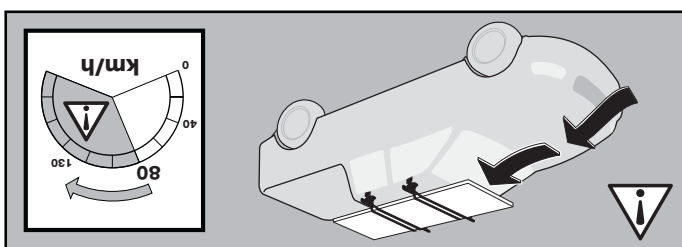
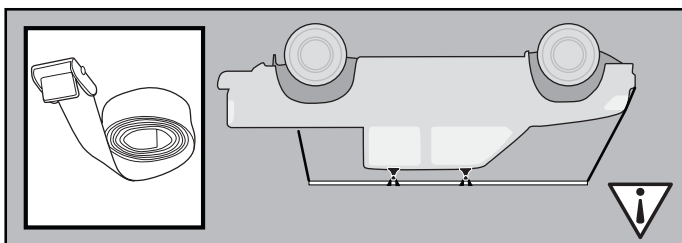
info@thule.com



www.thuleprofessional.com



Thule Sweden AB, Box 69, 330 33 Hillerstorp, SWEDEN









2-dr Single Cab

7 Kg + xx kg = **Max. 30 kg**

2-dr Extended Cab  
4-dr Double Cab

7 Kg + xx kg = **Max. 75 kg**

Warning: Speed limit 80-130 km/h

Warning: Use tape for securing cargo.

**THULE ONE KEY SYSTEM**

- 544
- 596
- 588

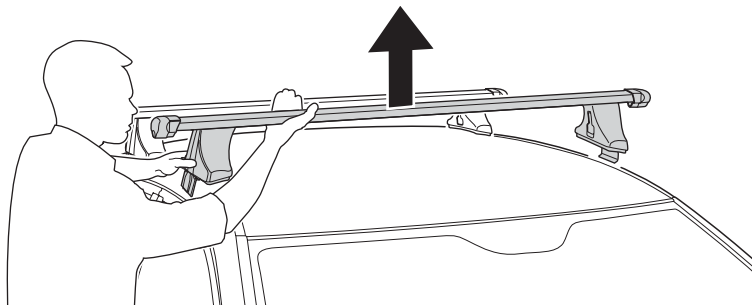
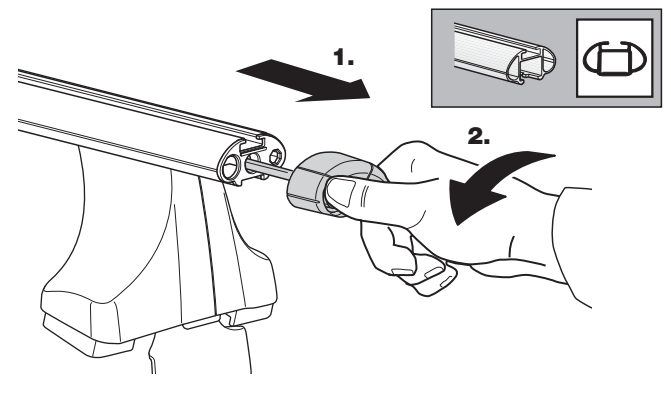
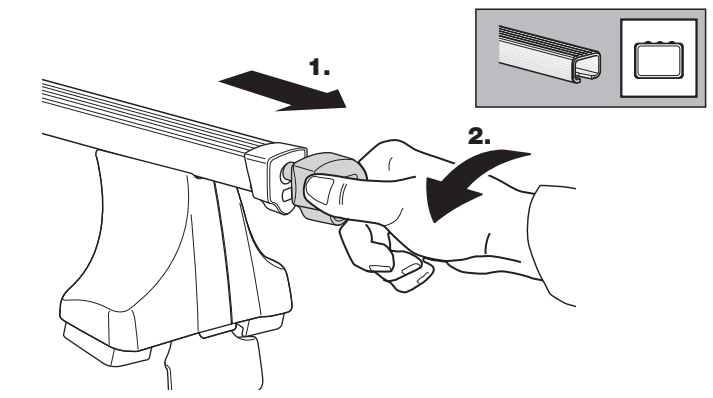
**GB** Removal  
**D** Demontieren  
**F** Démontage  
**NL** Demontage  
**I** Rimozione

**E** Desmontaje  
**PT** Remoção  
**S** Demonerung  
**FIN** Irrotus  
**EST** Eemaldamine

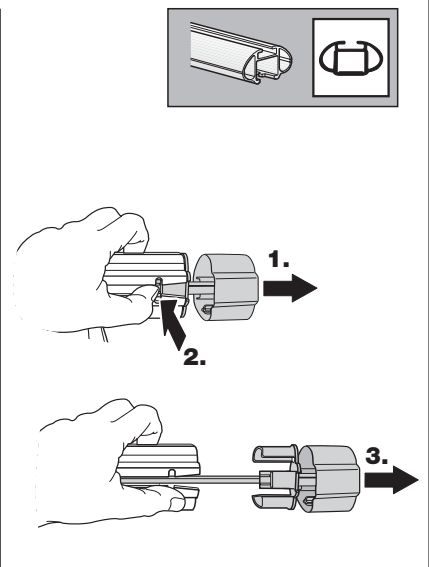
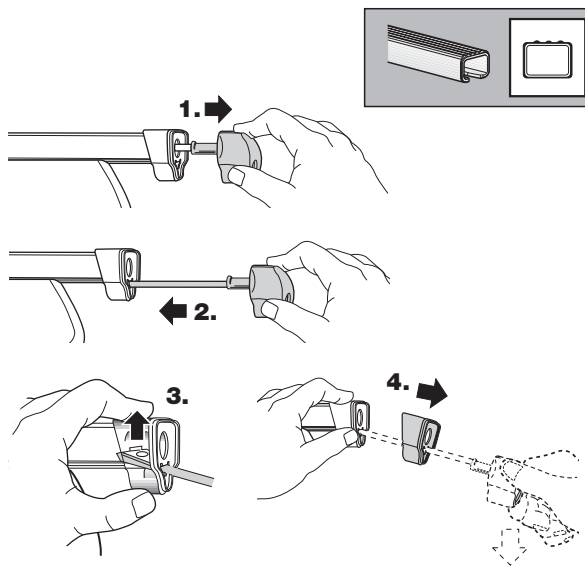
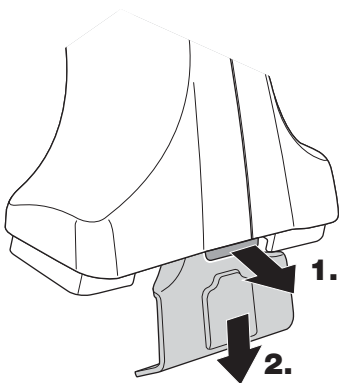
**LAT** Noņemšana  
**LIT** Nuėmimas  
**PL** Wymontowywanie  
**RU** СНЯТИЕ  
**CZ** Odmontování

**SK** Demontáž  
**SLO** Odstranjevanje  
**HR** Uklanjanje  
**HU** Leszerelés  
**GR** Αφαίρεση

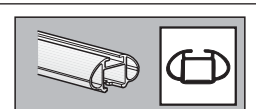
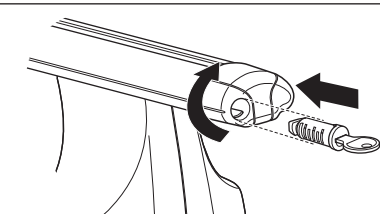
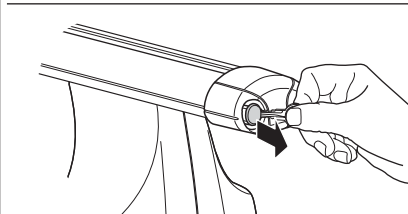
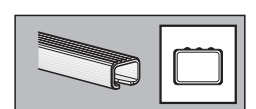
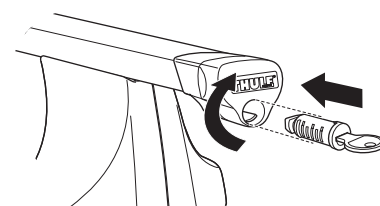
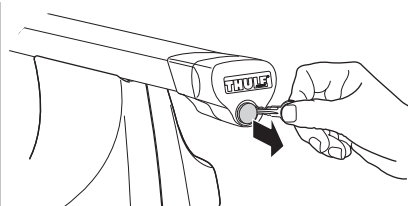
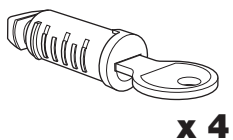
**TR** Sökme  
 中文 拆除  
 日本語 取り外し  
 한국어 분리  
 ไทย การถอด



**Fit Tips!**



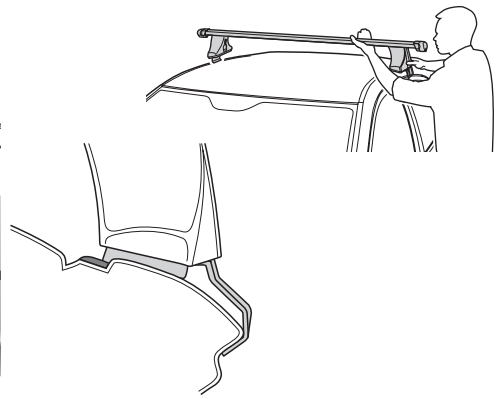
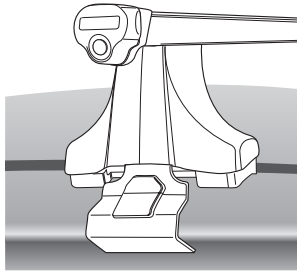
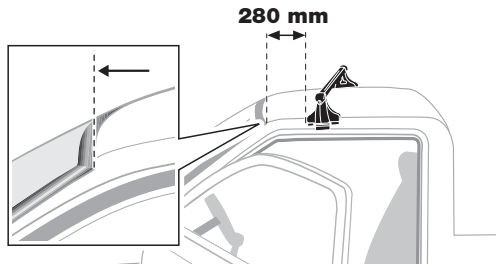
**THULE**  
**ONE**  
**KEY**  
**SYSTEM**



6

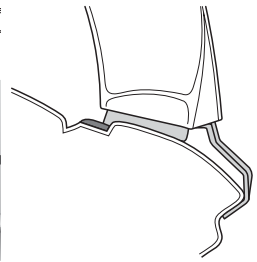
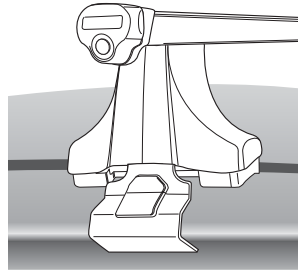
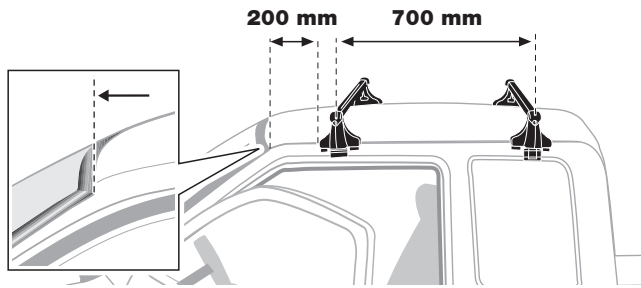
MITSUBISHI L 200, 2-dr Single Cab, 98-05

MITSUBISHI Triton, 2-dr Single Cab, 98-05



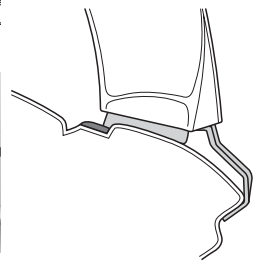
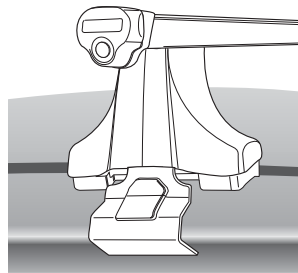
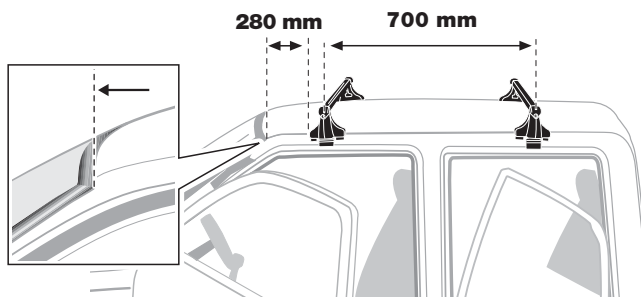
MITSUBISHI L 200, 2-dr Extended Cab, 98-05

MITSUBISHI Triton, 2-dr Extended Cab, 98-05

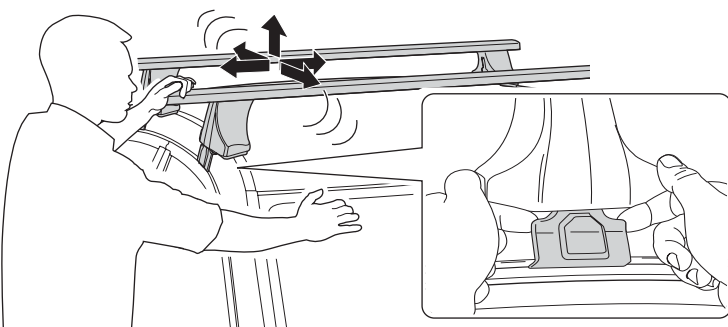
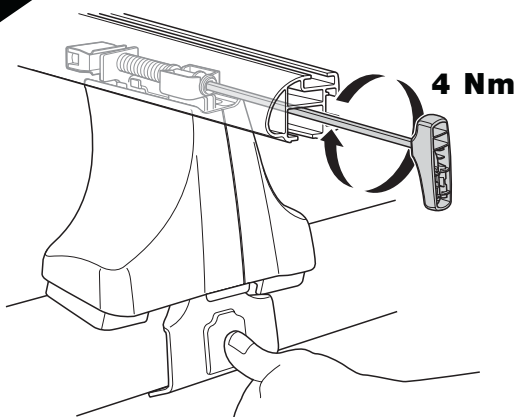


MITSUBISHI L 200, 4-dr Double Cab, 98-99

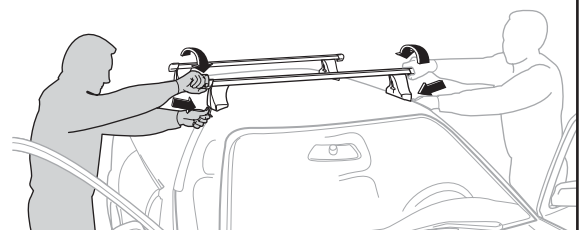
MITSUBISHI Triton, 4-dr Double Cab, 98-99

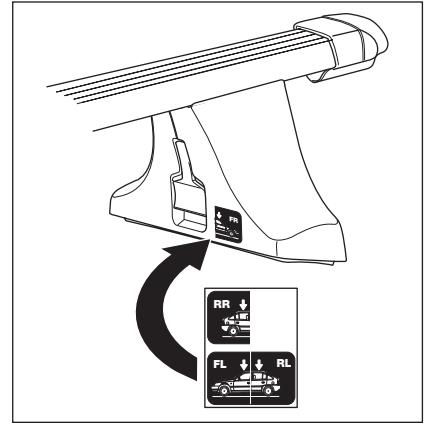
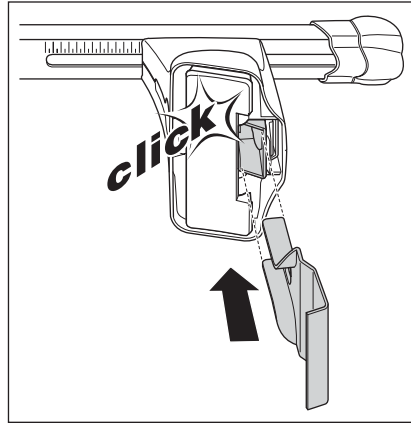
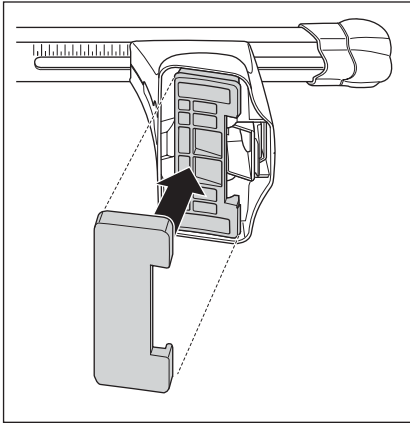


7



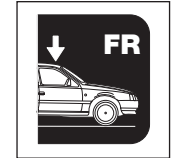
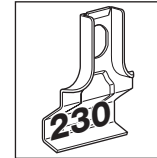
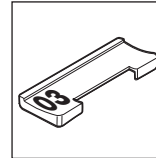
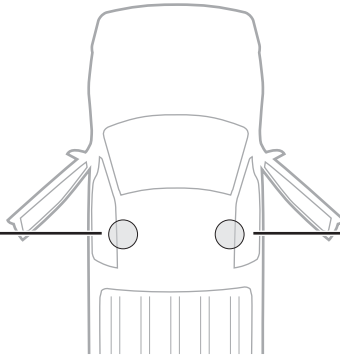
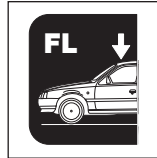
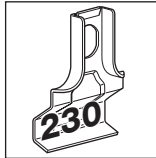
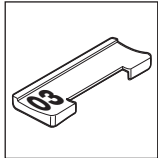
- |            |   |            |   |
|------------|---|------------|---|
| <b>GB</b>  | Tighten alternately                                     | <b>RU</b>  | Затягивайте попеременно                             |
| <b>D</b>   | Die Schrauben abwechselnd anziehen                      | <b>CZ</b>  | Pokrětka багажника dokrěcaj dokrěcaj naprzemiennie. |
| <b>F</b>   | Serrer alternativement chaque côté                      | <b>SK</b>  | Doťahujte striedavo                                 |
| <b>NL</b>  | Afwisselend aan de linker- en de rechterkant aandraaien | <b>SLO</b> | Privijajte izmenično.                               |
| <b>I</b>   | Serrare alternativamente                                | <b>HR</b>  | Naizmjenično zategniti                              |
| <b>E</b>   | Alternare il serraggio delle viti                       | <b>HU</b>  | Egymástól függetlenül szorítandó                    |
| <b>PT</b>  | Aperte alternadamente                                   | <b>GR</b>  | Σφίγγετε εναλλάξ                                    |
| <b>S</b>   | Dra åt växelvis   | <b>TR</b>  | Dönüşümlü sıkın                                     |
| <b>FIN</b> | Kierrä vuorotellen                                      | <b>中文</b>  | 交替拧紧  |
| <b>EST</b> | Pinguldage vaheldumisi                                  | <b>한국어</b> | 번갈아 가며 조이십시오.                                       |
| <b>LAT</b> | Pievelciet pamišus                                      | <b>日本語</b> | 交互に締め付けてください。                                       |
| <b>LIT</b> | Užsukinėkite pakaitomis                                 | <b>ไทย</b> | ขันในแบบสลับ  |
| <b>PL</b>  | Śruby dokręcaj naprzemiennie                            |            |   |





**MITSUBISHI L 200, 2-dr Single Cab, 98-05**

**MITSUBISHI Triton, 2-dr Single Cab, 98-05**

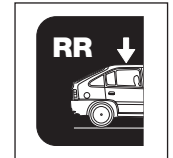
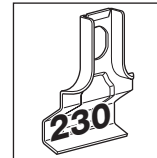
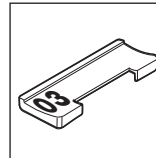
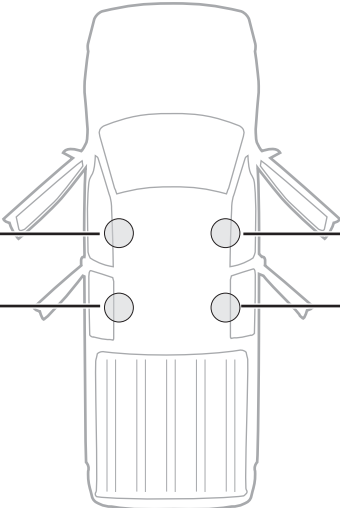
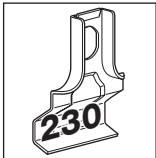
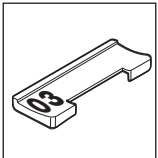
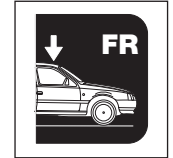
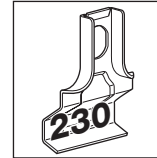
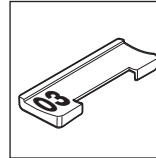
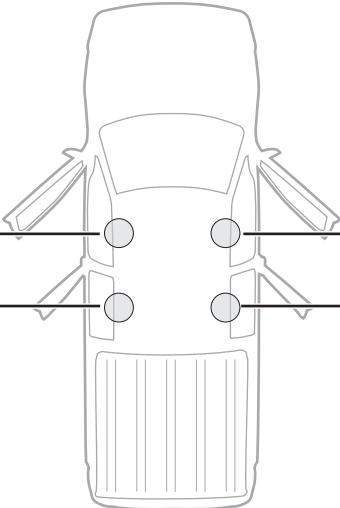
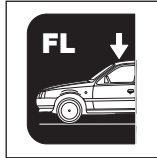
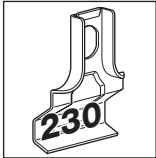
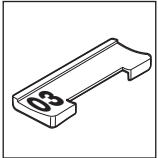


**MITSUBISHI L 200, 2-dr Extended Cab, 98-05**

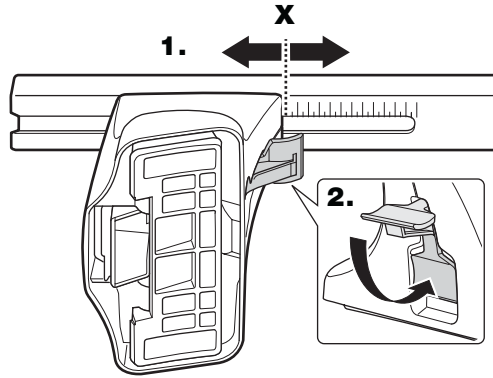
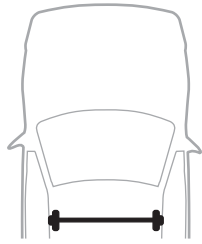
**MITSUBISHI L 200, 4-dr Double Cab, 98-99**

**MITSUBISHI Triton, 2-dr Extended Cab, 98-05**

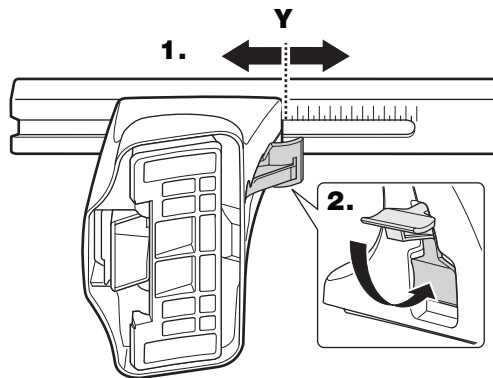
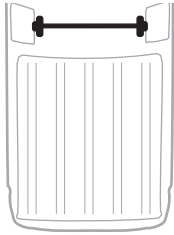
**MITSUBISHI Triton, 4-dr Double Cab, 98-99**



**3**

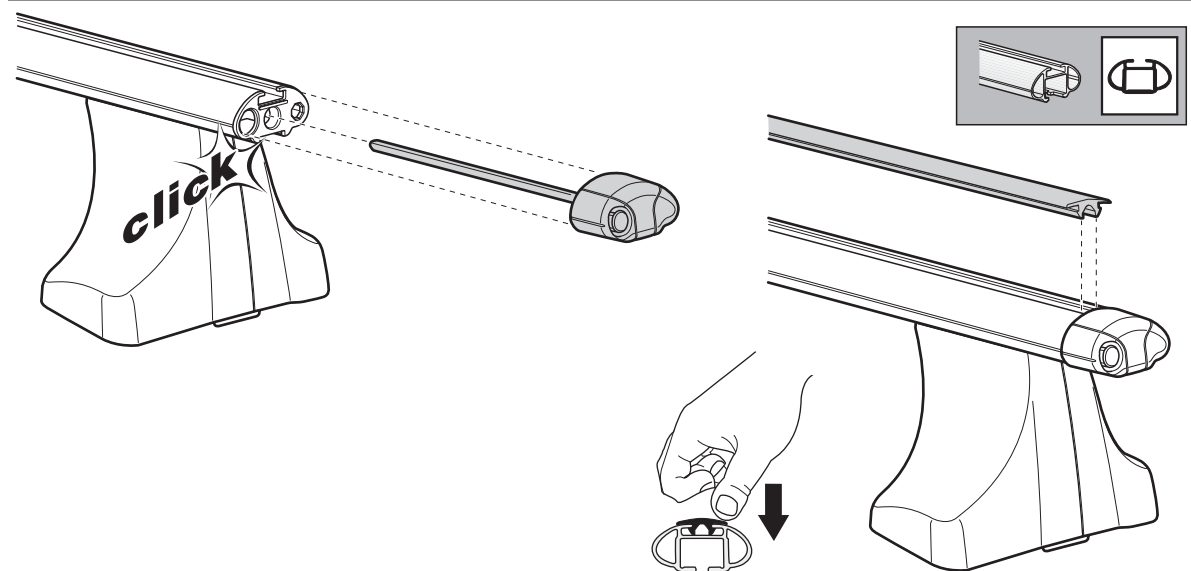
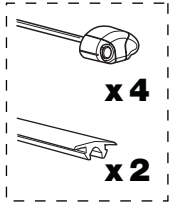
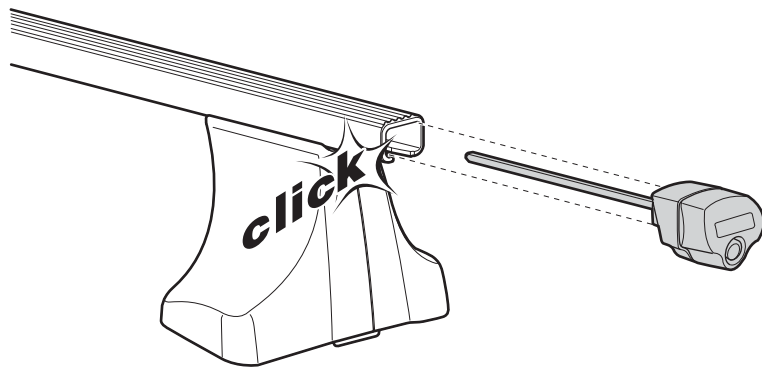
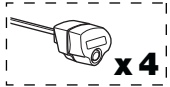


	<b>X</b>
MITSUBISHI L 200, 2-dr Single Cab, 98-05	36,5
MITSUBISHI L 200, 2-dr Extended Cab, 98-05	36,5
MITSUBISHI L 200, 4-dr Double Cab, 98-99	36,5
MITSUBISHI Triton, 2-dr Single Cab, 98-05	36,5
MITSUBISHI Triton, 2-dr Extended Cab, 98-05	36,5
MITSUBISHI Triton, 4-dr Double Cab, 98-99	36,5

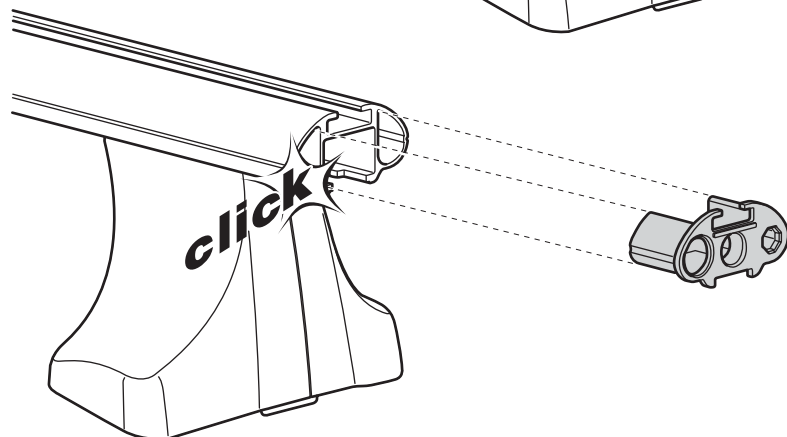
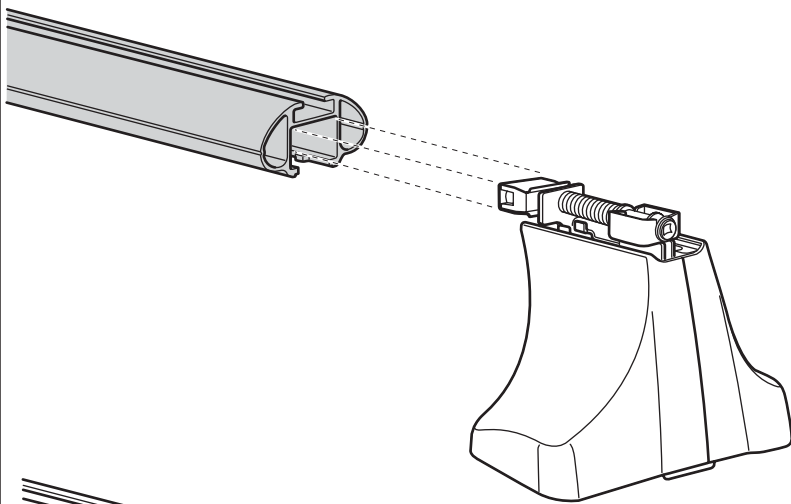
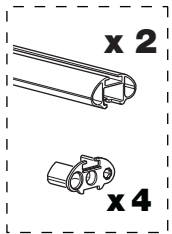
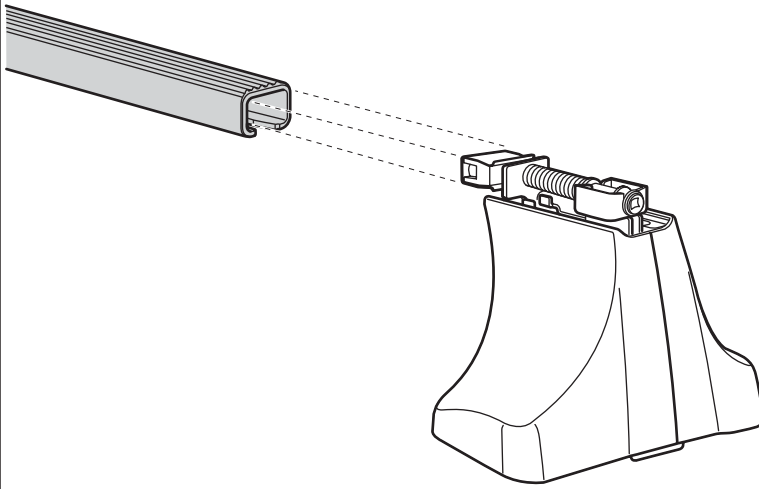
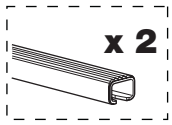
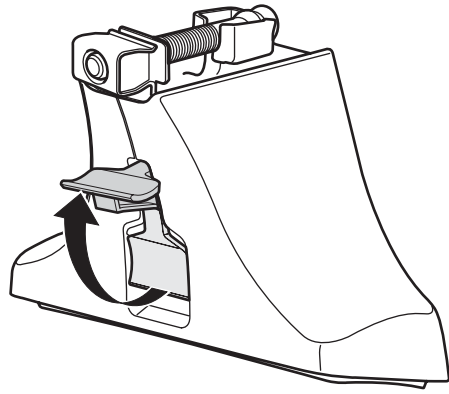
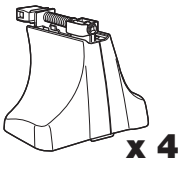


	<b>Y</b>
MITSUBISHI L 200, 2-dr Single Cab, 98-05	-
MITSUBISHI L 200, 2-dr Extended Cab, 98-05	37
MITSUBISHI L 200, 4-dr Double Cab, 98-99	36,5
MITSUBISHI Triton, 2-dr Single Cab, 98-05	-
MITSUBISHI Triton, 2-dr Extended Cab, 98-05	37
MITSUBISHI Triton, 4-dr Double Cab, 98-99	36,5

**4**



2



S Sakerhetsinstruktioner  
 GB Safety regulations  
 D Sicherheits-Vorschriften  
 F Instructions importantes  
 NL Veiligheidsvoorschriften  
 FIN Turvallisuusohjeet  
 E Reglas de seguridad  
 I Norme di sicurezza  
 CZ Nástroj na montáž  
 PL Wykazy bezpieczeństwa  
 PT Normas de segurança  
 GR Ασφαλείας Οδηγίες  
 TR Güvenlik Kuralları  
 HU Biztonság előírások  
 RU Инструкция по безопасности  
 RR Прavidла безпеки  
 EST Ohutusjuhised  
 LT Saugumo taisyklės  
 LAT Drošības noteikumi  
 Votozost pravidla  
 KOR 안전 수칙  
 THM ปลอดภัยในการใช้งาน  
 注意 安全 事项

