

THULE[®]

SWEDEN

- GB** Fitting instructions
- D** Montageanleitung
- F** Instructions de montage
- NL** Montage-instructies
- I** Istruzioni per il montaggio
- E** Instrucciones de montaje
- PT** Instruções de Montagem
- S** Monteringsanvisning
- FIN** Asennusohje
- EST** Paigaldusjuhend
- LAT** Stiprināšanas instrukcija
- LIT** Pritvirtinimo instrukcijos
- PL** Instrukcja montażu
- RU** Инструкции по установке
- CZ** Návod na montáž
- SK** Návod na montáž
- SLO** Navodila za pritrjevanje
- HR** Uputa za sastavljanje
- HU** A felszerelés módja
- GR** Οδηγίες συναρμολόγησης
- TR** Montaj talimatları
- 中文 安装说明
- 日本語 取扱(取付)説明書
- 한국어 장착 지침
- ไทย คำแนะนำการติดตั้ง

- SUZUKI Alto, 3-dr Hatchback (JPN), 94-98*
- SUZUKI Alto, 3-dr Hatchback (JPN), 99-04*
- SUZUKI Alto, 3-dr Hatchback (EUR), 94-01*
- SUZUKI Alto Works, 3-dr Hatchback (JPN), 99-04*
- SUZUKI Alto Works, 5-dr Hatchback (JPN), 99-04*
- SUZUKI Alto, 5-dr Hatchback (JPN), 94-98*
- SUZUKI Alto, 5-dr Hatchback (JPN), 99-04*
- SUZUKI Alto, 5-dr Hatchback (EUR), 94-01*
- SUZUKI Alto, 5-dr Hatchback (EUR), 02-06*

RAPID SYSTEM

Kit 1168



Follow me...

THULE[®]

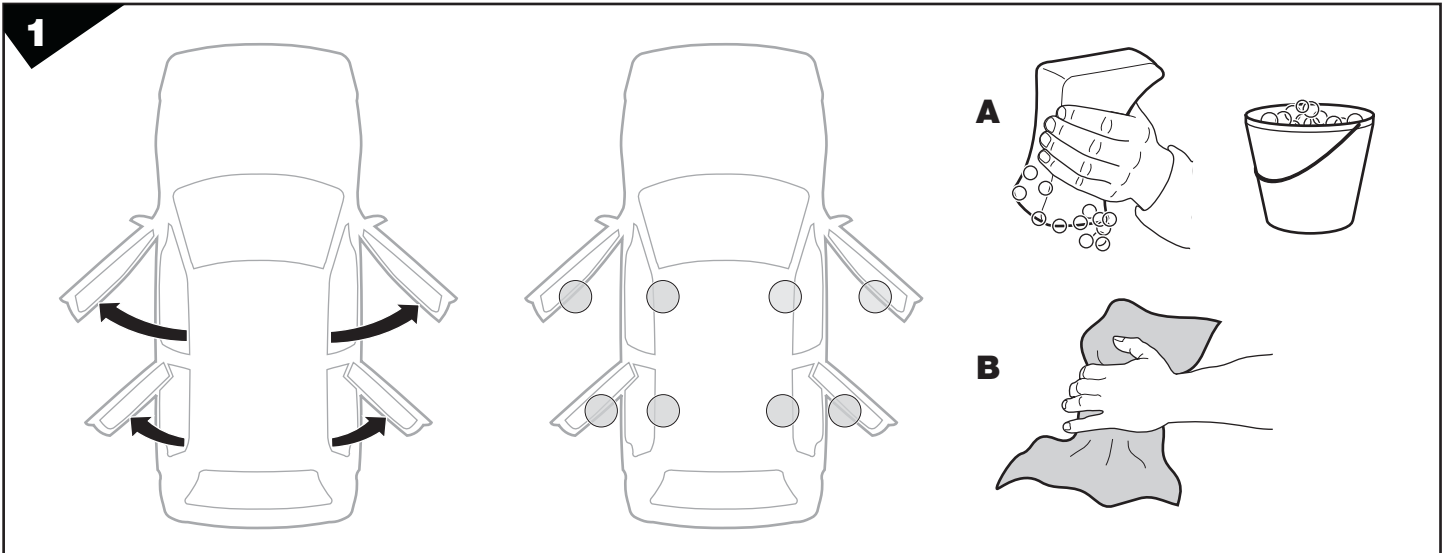
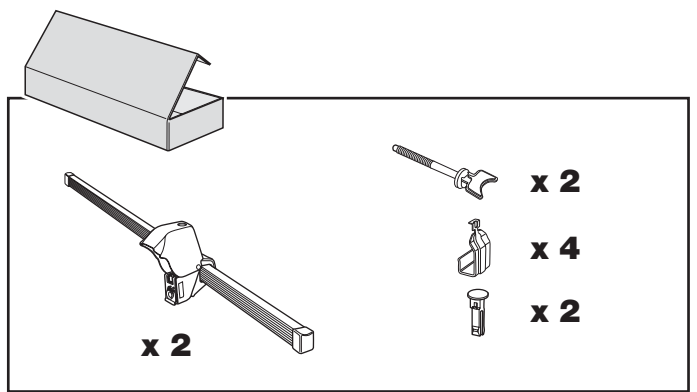
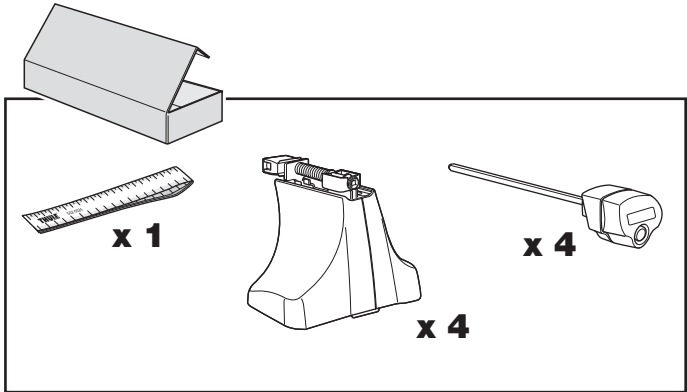
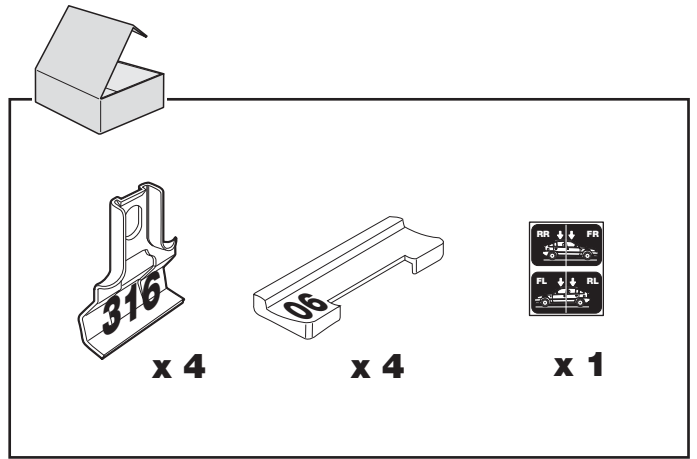
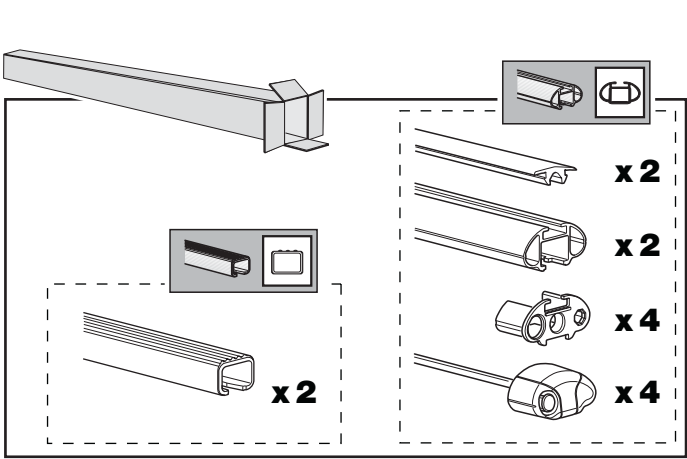
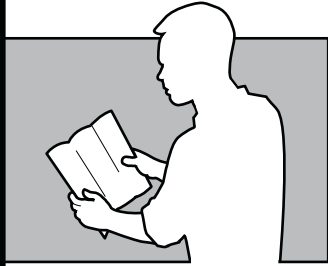
SWEDEN

Box 69, 330 33 Hillerstorp, SWEDEN
www.thule.com

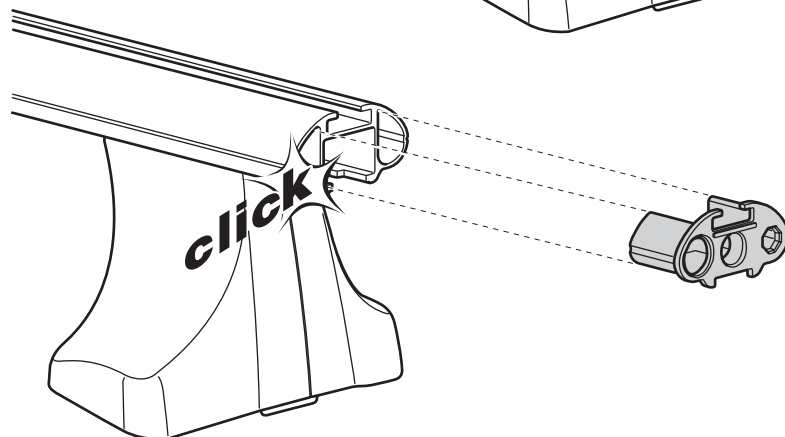
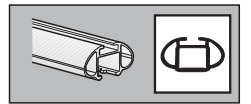
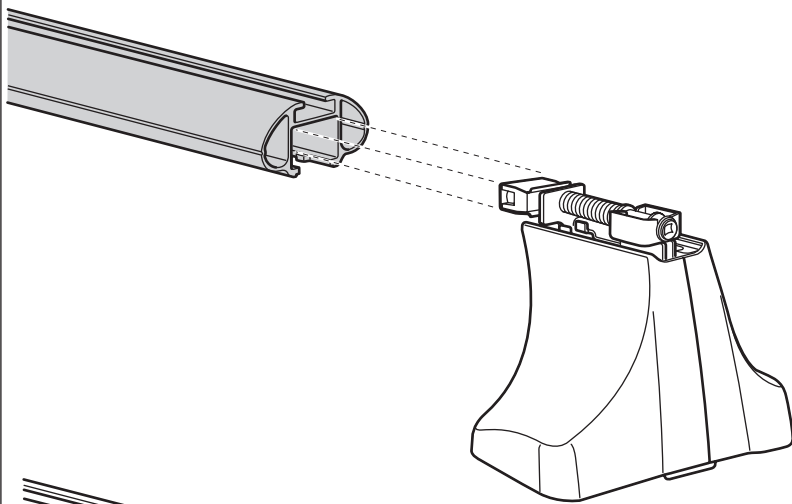
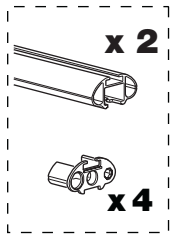
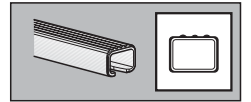
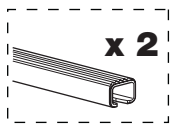
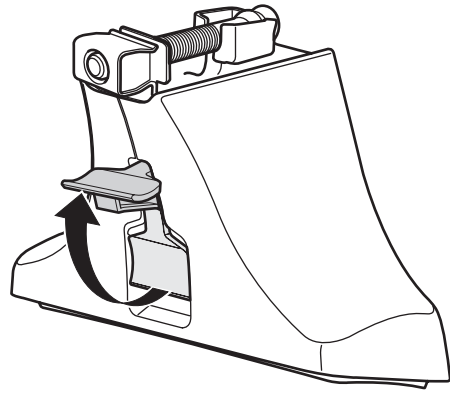
841•A/501-1168-05

THULE
SWEDEN

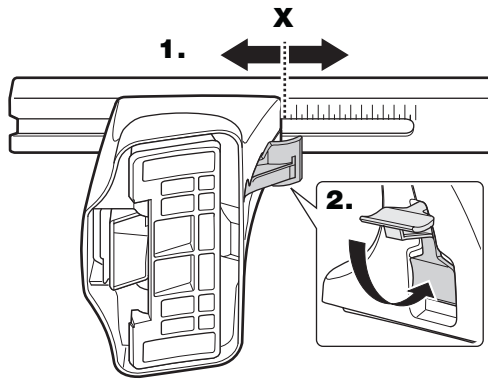
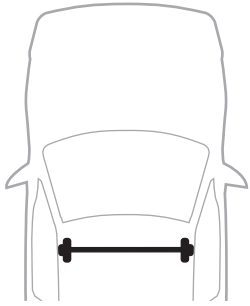
S Säkerhetsbrevskriter
GB Security regulations
D Sicherheits-Vorschriften
F Instructions importantes
NL Veiligheidsvoorschriften
FIN Turvallisuusohjeet
E Reglas de seguridad
I Norme di sicurezza
CZ Pokyny na montáž
PL Wykazy bezpieczeństwa
PT Normas de segurança
GR Χειρισμός Απλοήλιος
TR Güvenlik kılavuzları
HU Biztonsági utasítások
RU Инструкция по безопасности
HR Pravila sigurnosti
EST Ohutusjuhised
LIT Saugumo taisyklės
LAT Drošības noteikumi
SLK Varnostni predpisi
KOR 주의 사항
THAI ปลอดภัย
CHN 安全须知



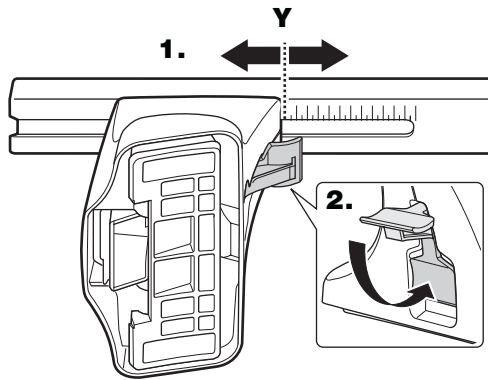
2



3

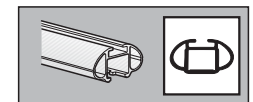
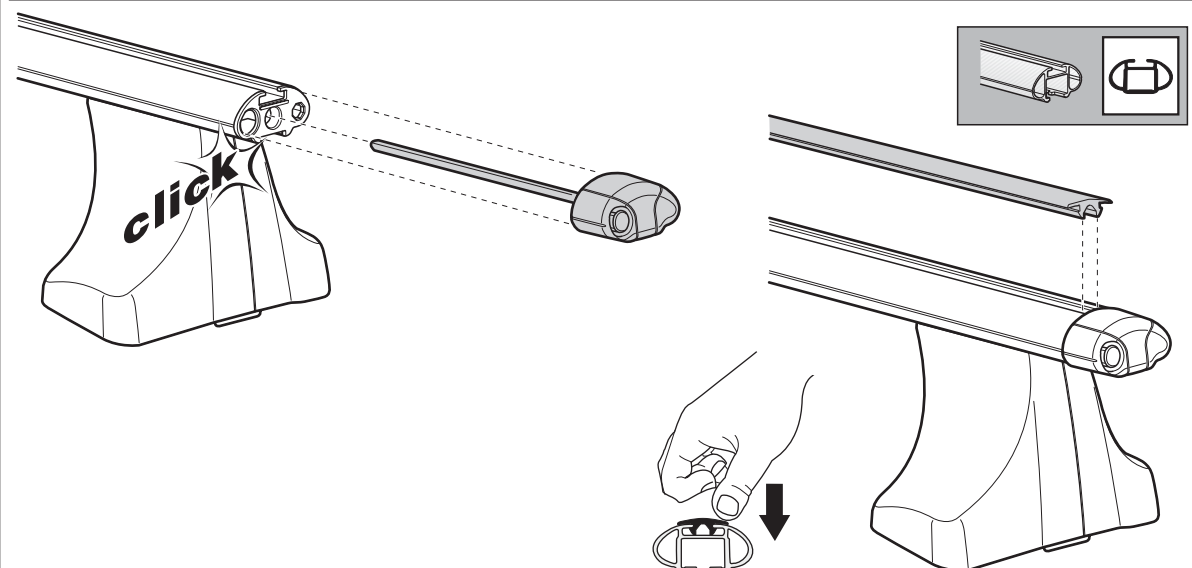
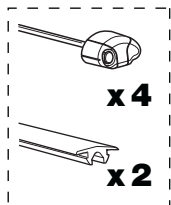
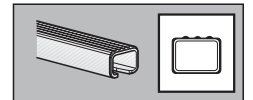
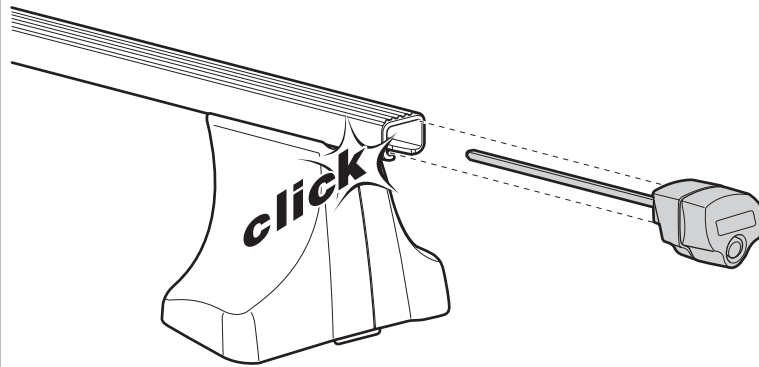
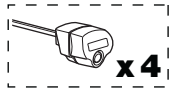


	X
SUZUKI Alto, 3-dr Hatchback (JPN), 94-98	34
SUZUKI Alto, 3-dr Hatchback (JPN), 99-04	17
SUZUKI Alto, 3-dr Hatchback (EUR), 94-01	34
SUZUKI Alto Works, 3-dr Hatchback (JPN), 99-04	17
SUZUKI Alto Works, 5-dr Hatchback (JPN), 99-04	17
SUZUKI Alto, 5-dr Hatchback (JPN), 94-98	34
SUZUKI Alto, 5-dr Hatchback (JPN), 99-04	17
SUZUKI Alto, 5-dr Hatchback (EUR), 94-01	34
SUZUKI Alto, 5-dr Hatchback (EUR), 02-06	17

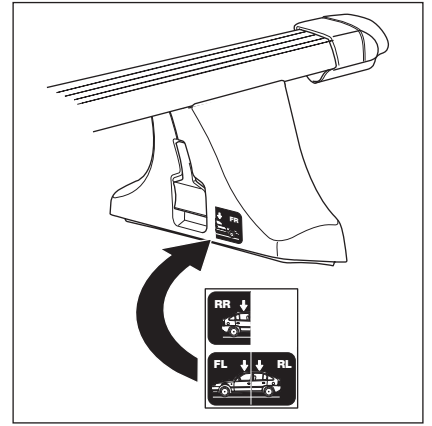
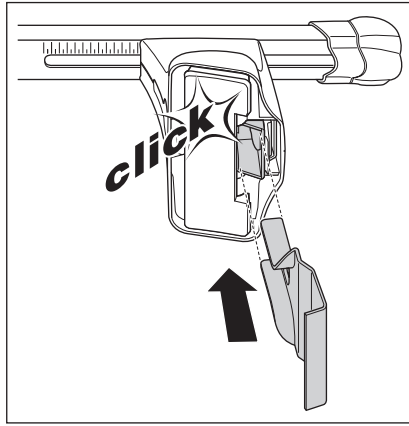
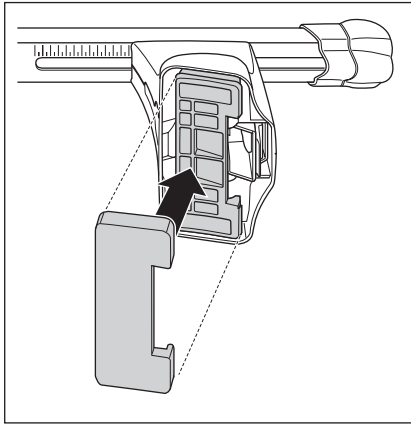


	Y
SUZUKI Alto, 3-dr Hatchback (JPN), 94-98	24
SUZUKI Alto, 3-dr Hatchback (JPN), 99-04	14
SUZUKI Alto, 3-dr Hatchback (EUR), 94-01	24
SUZUKI Alto Works, 3-dr Hatchback (JPN), 99-04	14
SUZUKI Alto Works, 5-dr Hatchback (JPN), 99-04	14
SUZUKI Alto, 5-dr Hatchback (JPN), 94-98	24
SUZUKI Alto, 5-dr Hatchback (JPN), 99-04	14
SUZUKI Alto, 5-dr Hatchback (EUR), 94-01	24
SUZUKI Alto, 5-dr Hatchback (EUR), 02-06	14

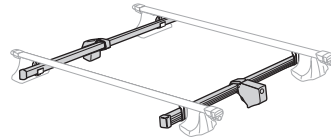
4



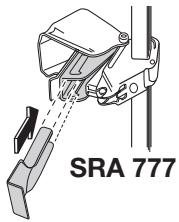
5



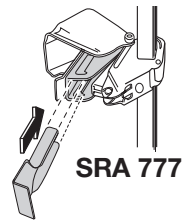
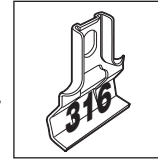
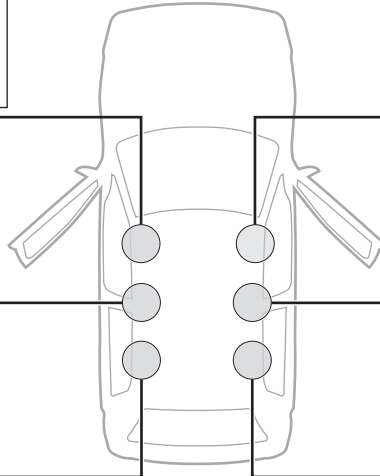
SUZUKI Alto Works, 3-dr Hatchback
SUZUKI Alto, 3-dr Hatchback



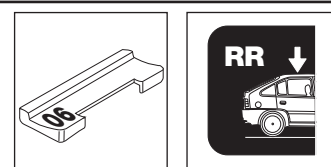
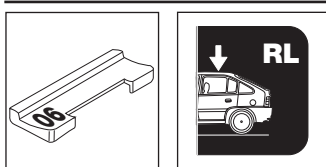
SRA 777



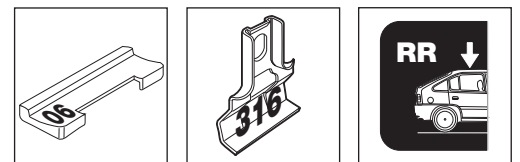
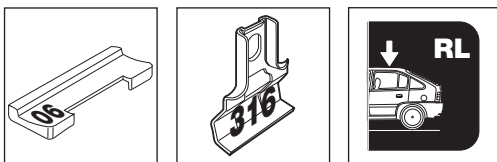
SRA 777



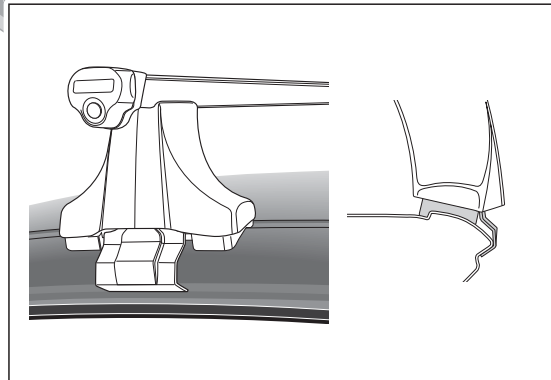
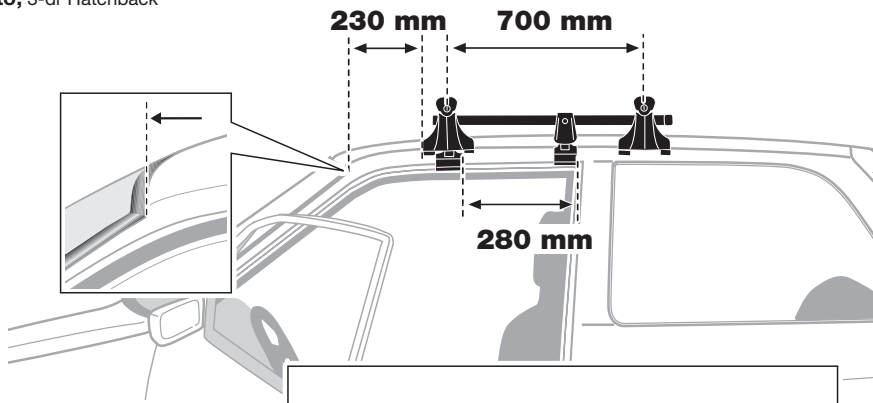
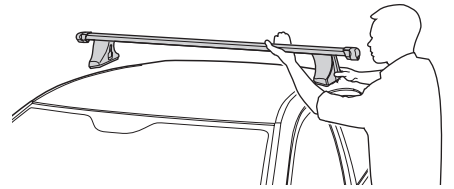
SRA 777



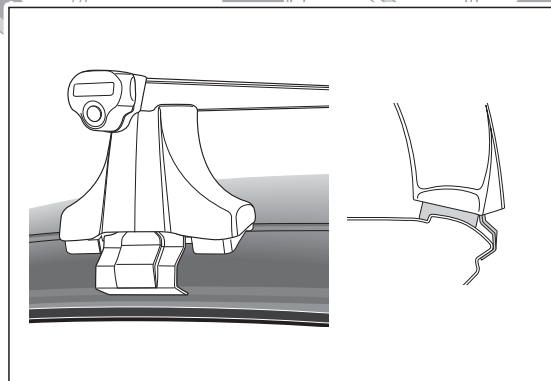
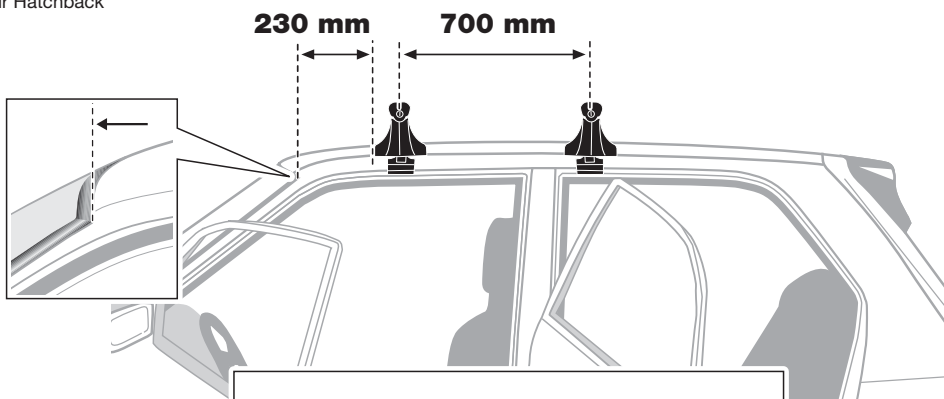
SUZUKI Alto Works, 5-dr Hatchback
SUZUKI Alto, 5-dr Hatchback



SUZUKI Alto Works, 3-dr Hatchback
SUZUKI Alto, 3-dr Hatchback



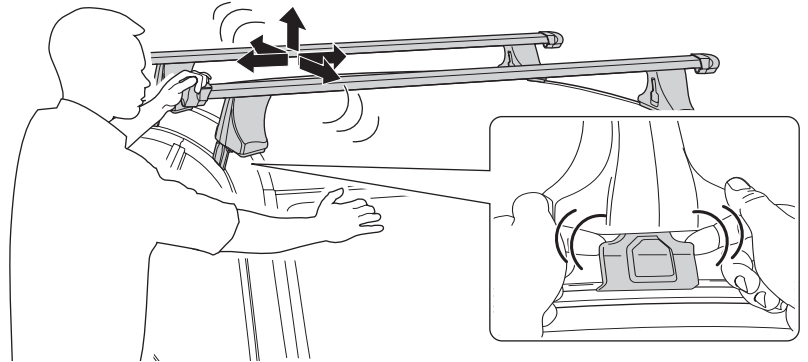
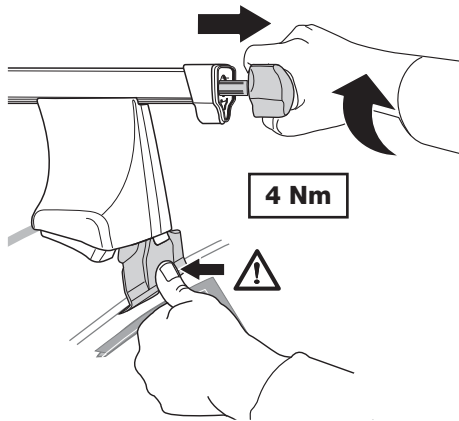
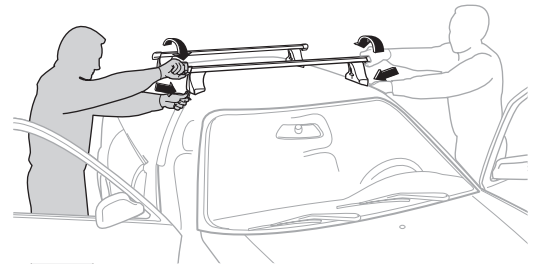
SUZUKI Alto Works, 5-dr Hatchback
SUZUKI Alto, 5-dr Hatchback



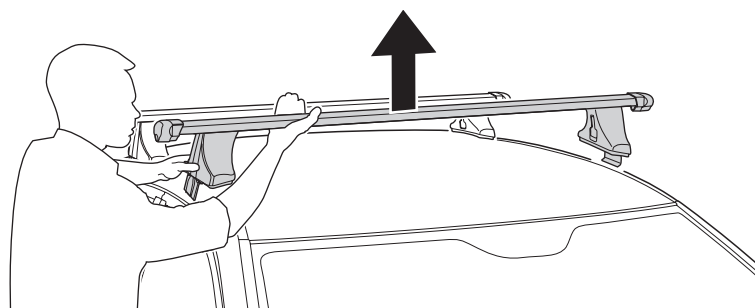
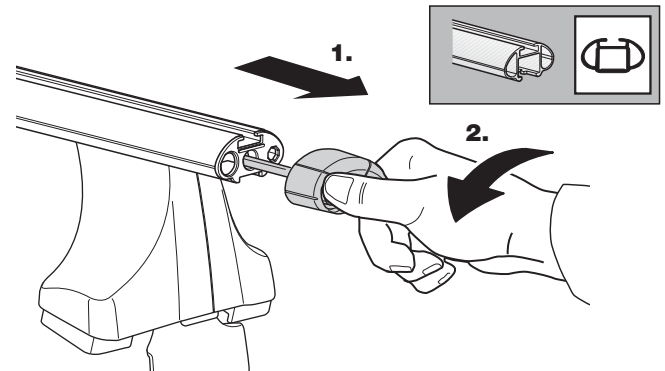
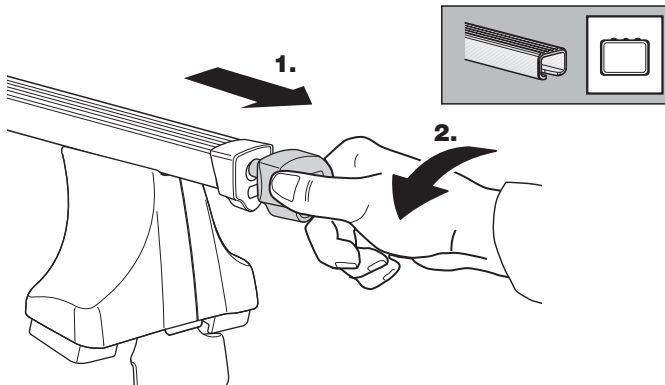
7

- GB** Tighten alternately
- D** Die Schrauben abwechselnd anziehen
- F** Serrer alternativement chaque côté
- NL** Afwisselend aan de linker- en de rechterkant aandraaien
- I** Serrare alternativamente
- E** Alternare il serraggio delle viti
- PT** Aperte alternadamente
- S** Dra åt växelvis
- FIN** Kierrä vuorotellen
- EST** Pinguldage vaheldumisi
- LAT** Pievelciēt pamišus
- LIT** Užsukinėkite pakaitomis

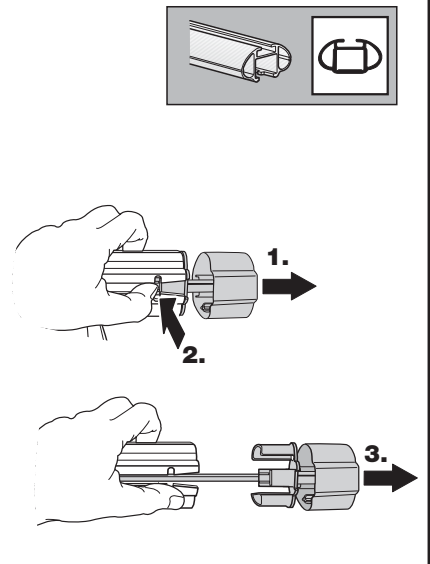
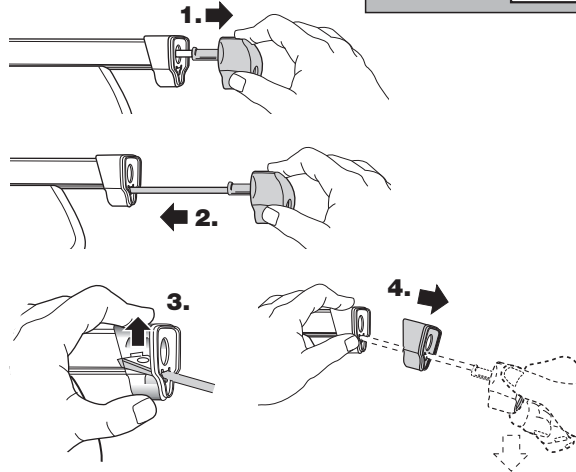
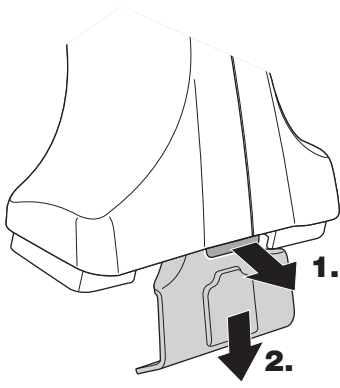
- PL** Śruby dokręcaj naprzemiennie
- RU** Затягивайте попеременно
- CZ** Pokręťta багаžnika dokręcaj dokręcaj naprzemiennie.
- SK** Doťahujte striedavo
- SLO** Privijajte izmenično.
- HR** Naizmjenično zategnite
- HU** Egymástól függetlenül szorítandó
- GR** Σφίγγετε εναλλάξ
- TR** Dönüşümlü sıkın
- 中文** 交替拧紧
- 한국어** 번갈아 가며 조이십시오.
- 日本語** 交互に締め付けてください。
- ไทย** ชั้ในแบบสลับ



- | | | | | |
|----------------------|------------------------|--------------------------|---------------------------|-----------------|
| GB Removal | E Desmontaje | LAT Noņemšana | SK Demontáž | TR Sökme |
| D Demontieren | PT Remoção | LIT Nuėmimas | SLO Odstranjevanje | 中文 拆除 |
| F Démontage | S Demontering | PL Wymontowywanie | HR Uklanjanje | 日本語 取り外し |
| NL Demontage | FIN Irrotus | RU Снятие | HU Leszerelés | 한국어 분리 |
| I Rimozione | EST Eemaldamine | CZ Odmontování | GR Αφαίρεση | ไทย การถอด |



Fit Tips!



THULE
ONE
KEY
SYSTEM

